

THE 2016 CHRYSLER TOWN & COUNTRY
DESIGNED FOR VERSATILITY




2016 CHRYSLER TOWN & COUNTRY



[LEARN MORE](#)
[CHRYSLER.COM](#)

 BUILD & PRICE

 FIND A DEALER

Home Away from Home

Because being prepared and pragmatic have always been your strong points, you need the versatility and efficiency of the world's most trusted minivan^{1*} to make the most of every destination, and getting there — a family vehicle with room for all in favor, including the tagalongs. It may not be how you roll every day but when it's time to go a little further, you know that "the more, the merrier" makes the trip. So, load in with the means to make it there in style and comfort while staying connected and entertained. Whether it's a weekend getaway, summer at the lake or the daily commute and carpool, it's better when you're all together in your Town & Country.



Anniversary Edition.
In recognition and celebration of American entrepreneurial spirit and the Chrysler Anniversary, a Town & Country Touring-L model adds special branding features like an Anniversary Edition radio splash screen and floor mats, a power sunroof and Convenience Group features such as bright door handles, heated front and second-row seats, and heated steering wheel, along with remote security features and remote proximity keyless entry. This limited-offering edition pays homage to the founder who turned hard work and dreams into reality and enduring success.

*A note about this brochure: all disclaimers and disclosures can be found on the inside back cover of this brochure.

LEARN MORE
CHRYSLER.COM

25 HWY MPG* Fuel Economy

The Sustainable Road Trip.

Since getting everyone there confidently is the only option, you'll know why it matters to have a vehicle that makes the most of your resources. With the efficient 3.6L V6 engine, Fuel Optimizer mode, and maximized use of seating and cargo space with the class-exclusive² Stow 'n Go[®] seating and storage, the versatile Town & Country makes each trip a mobile retreat. Because along with togetherness and conserving fuel by taking one vehicle, sharing the ride is about keeping your group well-fueled with healthy snacks, stocking up on groceries, staying connected, entertained and occupied, and stopping for homemade picnics in or out of the car. Not to mention having another family room on site once you arrive. Of course, you may need to stop at a rest area along the way since everyone has their own large cup holder.



Flex Fuel Engine.

The Town & Country comes with the option to utilize an alternative to standard gasoline. E85, also known as Flex Fuel, can be found at select filling stations. This green biofuel is a mixture of gas and ethanol — often derived from corn. Although E85 fuel mileage tends to be lower than that of gasoline — Town & Country gets up to 18 hwy mpg with E85[†] — the corn-based ethanol is said to be better for the environment because of reduced greenhouse gas emissions and foreign oil dependency. As always with the flexibility of Town & Country, it's a matter of personal choice and having options that fit your lifestyle.



E85 Flex Fuel
 green biofuel alternative



THE RESOURCEFUL ROAD TRIP MADE SIMPLE



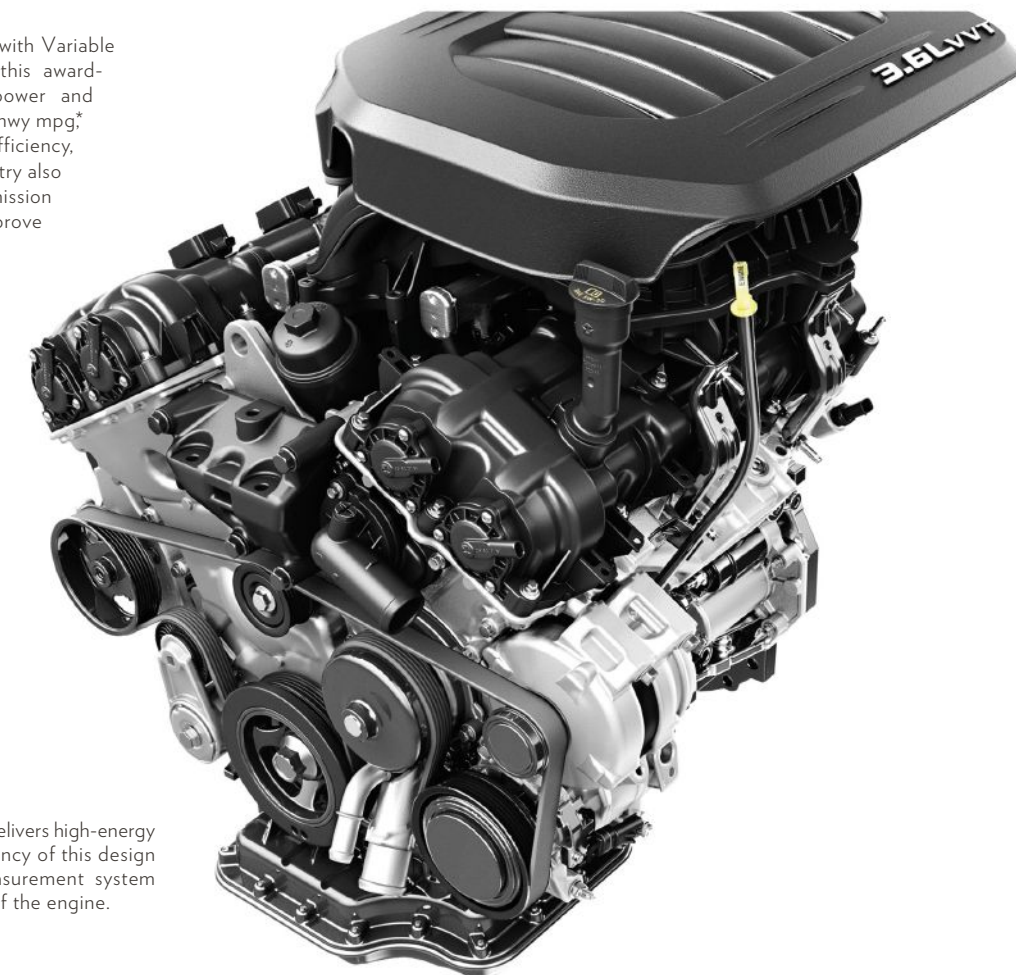
Fuel Optimizer Mode.

The Chrysler Town & Country includes an integrated Fuel Optimizer mode that helps drivers make the most of their mileage. It works economically for you, adjusting engine timing and transmission shift patterns to help improve real-world efficiency and stretch your gas budget money. By activating the transmission to upshift sooner, downshift later and skip select gears, the Fuel Optimizer mode allows the engine to operate, as well as idle, at lower speeds, which optimizes fuel economy.

All you have to do to activate it is press the Econ button in the center stack, and a green light will indicate that the Econ mode is engaged. Once activated, it can help your Town & Country achieve an EPA-estimated 25 mpg on the highway.*

3.6L Pentastar[®] VVT V6.

Powered by the standard 3.6L Pentastar V6 engine with Variable Valve Timing (VVT) and Flex Fuel technology, this award-winning engine boasts best-in-class² 283 horsepower and 260 lb-ft of torque, yet efficiently provides up to 25 hwy mpg,* combining an exceptional blend of high torque, fuel efficiency, low emissions and quiet operation. The Town & Country also features a Fuel Optimizer mode that alters transmission shift patterns, with the touch of a button, to help improve fuel efficiency.



The Pentastar V6 engine coil-on-plug ignition system delivers high-energy spark with super-precise timing. The increased efficiency of this design also contributes to lower emissions. This dual-measurement system ensures extremely accurate timing for the entire life of the engine.

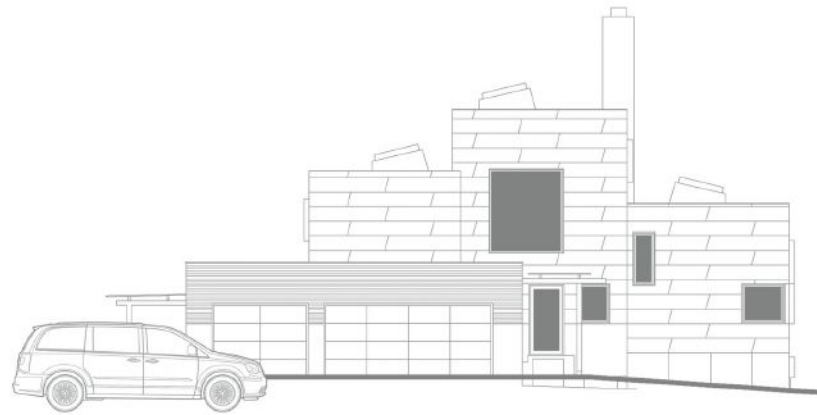
*EPA-estimated 17 city/25 hwy mpg with 3.6L engine and 6-speed automatic transmission.

†Based on EPA estimates. Actual mileage may vary.

[LEARN MORE](#)
[CHRYSLER.COM](#)

Town & Country Celebrates the Pinnacle of Style and Luxury in a Minivan.

The available power sunroof, High Intensity Discharge (HID) headlamps, chrome nameplate badging and dazzling 17-inch fully aluminum or polished wheels capture its high-end distinction. Available power-folding mirrors, fog lamps, automatic headlamps and the added luster of available chrome bodyside molding display its dressed-up attitude. The class-exclusive² Stow N Place[®] Roof Rack System can carry up to 150 pounds of cargo while the convenience of folding crossbars that attach to the side rails when not in use improves aerodynamics. This is just the beginning of what makes the Town & Country's luxury match its high-functioning equipment like available chrome exterior mirrors. They fold out of the way, have a heat feature and are adjustable with the touch of a button. The driver's-side mirror's available automatic dimming feature helps to reduce glare, and both side mirrors have available supplemental turn signals.



THE DIFFERENCE IS IN THE DETAILS



Containing Your Crew Never Looked So Good



Tailored for an Active Lifestyle.

The Town & Country S brings premium standard equipment and exterior enhancements to the Touring model. The sporting style features a Black chrome grille, unique wing badges with Black Chrysler emblem, a Black rear fascia step pad, S model badging, blacked-out headlight bezels and 17-inch Hyper Black aluminum wheels. Premium, low-rolling-resistance tires, low-drag brake calipers and rear bearings enhance fuel efficiency. The performance suspension on S adds a new level of handling dynamics to the driving experience, yet still provides a comfortable ride that's expected in a luxury minivan.



LEARN MORE
DRIVEUCONNECT.COM

Take Your Network with You

Remain focused on the road with your hands on the wheel, while you communicate, navigate and stay entertained. Find out more at DRIVEUCONNECT.COM



Navigation

Garmin®. Provides turn-by-turn voice guidance and visual display. It features the Garmin intuitive user interface, bringing the Garmin handheld experience to a factory in-dash radio. Available.

Communicate

Uconnect® Phone⁵ Pairing a Bluetooth® enabled phone with the Uconnect system is as simple as pressing the Phone button on the steering wheel and following the prompts. Then make and receive calls with hands-free phone capability.

Voice Text Reply⁶ Announces and reads incoming text messages. It also allows you to reply with either a free-form text or by selecting any of the 20 pre-defined responses.



SiriusXM® All Access³ Package. A one-year trial provides over 160 channels. You'll get every channel available on your radio, including all the premium programming, and Instant Replay to pause, replay, rewind and fast-forward channels.

SiriusXM⁴ On the App and Online. Stream SiriusXM⁴ beyond your car. Go to siriusxm.com/getallaccess for more information.



Get detailed information on traffic, accidents, construction, road closures and more with available features.⁴

**SiriusXM
TRAFFIC**

Get the latest weather forecasts, fuel prices, sports scores and movie schedules. The first five years of SiriusXM Travel Link⁴ and SiriusXM Traffic⁴ services are included.

**SiriusXM
TRAVEL LINK**

Entertainment

Web⁷

Hotspot. Put the power of high-speed Internet in your vehicle with Mopar® Web⁷ making your Town & Country a mobile hotspot. Passengers can use multiple devices at the same time. There's no need for cell cards or software with this Authentic Chrysler Accessory by Mopar — it's all wireless. Subscription required. Sold separately.

Voice Commands⁹

Speak Up. Select radio stations, SiriusXM³ channels, navigation destinations, and make calls and record voice memos. The system can be trained to recognize your voice and understand English, French and Spanish.

Multimedia Room

Occupy Boredom!

Stretch out the patience of your most demanding occupants. Let this premium level of entertainment features keep your passengers occupied with the available Dual-DVD/Blu-ray® Entertainment System with HDMI input and two USB ports for recharging. This system allows backseat passengers to view standard DVDs and Blu-ray videos or to play a high-definition video game system on the screens. Wireless headphones allow backseat passengers to enjoy the state-of-the-art system without forcing front-seat occupants to hear the accompanying audio. With an available single-DVD system, two available nine-inch VGA high-resolution screens that flip down from the overhead console, two USB ports, a 115V charging outlet, HDMI connectivity and game-console inputs, the kids don't have to settle on just one thing to watch or play.



The Best Made Even Better with Blu-ray.

The video system can be operated from either the wireless remote or the radio head unit. The self-contained entertainment system is located in the overhead rail, which also contains storage for the wireless headphones and remote. LED Blue Sapphire halo lighting glows from the overhead rail, providing a relaxing environment for nighttime viewing. SiriusXM® Satellite Radio⁴ is also standard on all models.



THE SELF-CONTAINED ENTERTAINMENT SYSTEM



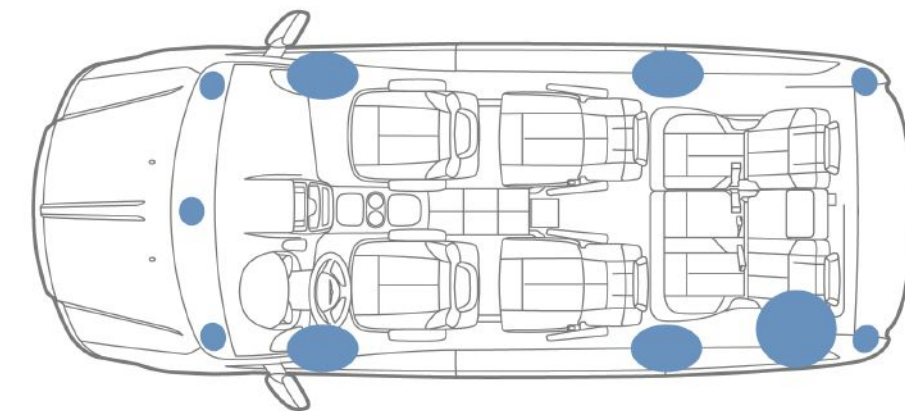
Mopar® Web⁷

Let's face it, they'll have their tablets linked to your Uconnect® system's available Mopar Web⁷ before you've scrolled through the instructions on the touchscreen. No worries though, they'll remember your password if you forget it. And that's how it should be, easy to access and even easier to use.



Listening Skills to Last the Trip.

Whether enjoying a group sing-along session to your crew's favorite tracks or listening to your favorite station on the standard SiriusXM® Satellite Radio⁴ with included one-year subscription or the audio to the seemingly 100th viewing of their go-to DVD, you and your passengers will appreciate the designed-in sound of either a standard six-speaker system or the available, nine well-placed speakers with subwoofer and an 11-channel amplifier. Of course, the sound of silence in the backseat is sometimes the sweetest sound of all.



The soundtrack of a modern family is delivered via superb available Alpine® quality Surround Sound with an available nine speakers with subwoofer and 506 watts of power. Standard on Limited Platinum.

Appreciate the designed-in sound of either a standard six-speaker system or the available Alpine nine-speaker system with subwoofer.



Cleanup in Aisle 3.

Standard leather-trimmed seats on all trim levels of Town & Country make for easy cleanups in every row from spills, smudges, muddy feet, dropped suckers, lost gum, sticky fingers, dog hair and any combination thereof.

Multipurpose Room with In-floor Storage for Seats or Cargo.

Taking comfort in the simple things in your day-in-the-life routine is why Town & Country provides a host of innovative power and convenience features that help to make your life easier. Along with the ultimate versatility of the exclusive standard Stow 'n Go® seating and storage, the interior includes the practical luxury of standard leather-trimmed seating with the safety and technological convenience of the Uconnect® touchscreen radio with rear back-up camera. The packed standard-equipment interior also features the driver conveniences of steering-wheel audio and cruise controls, as well as an available power eight-way driver's seat, Driver Information Display (DID) in the instrument gauges, and available automatic temperature control helping you stay focused and feeling good.

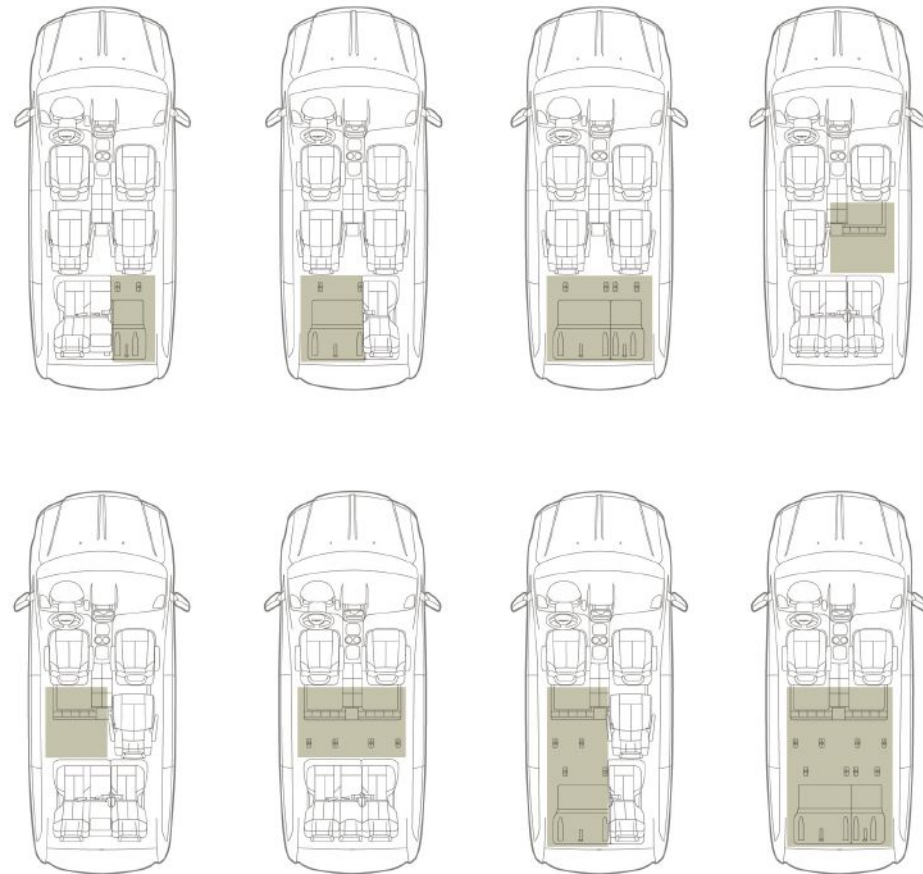


Fold-In-Floor Seats Mean No Heavy Lifting

The Most Innovative Seating and Storage in Its Class?

Luxury and practicality coexist in harmony with standard leather-trimmed seats and the Stow 'n Go® seating and storage system. The fold-and-stow second- and third-row seats fold individually into floor bins, allowing you to go from seven seats to two, or any combination in between. With all seats stowed (not removed!), the Town & Country yields a flat cargo floor and 143.8 cubic feet of storage for easy loading without ever having to remove a seat. When the seats are in their upright positions, in-floor bins store a multitude of items, from laptops, purses and toys to backpacks and sporting equipment.

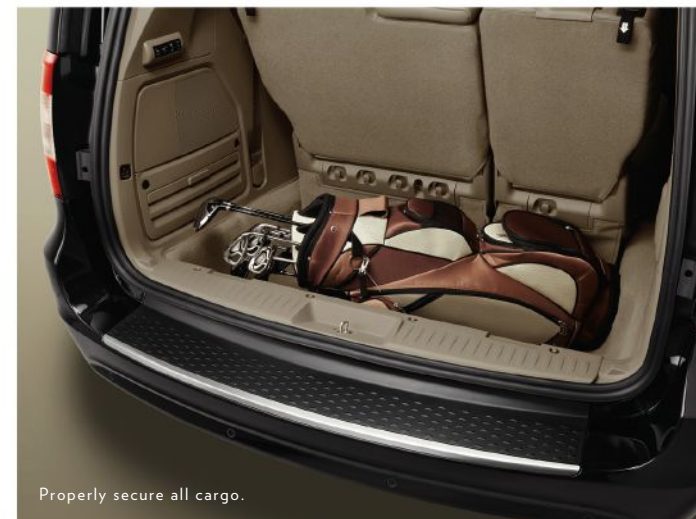
STOW 'N GO



Flat cargo cab with seats stowed in the floor



Power third-row seats, open and unfold from rear storage area



Properly secure all cargo.



Second-row seats, unfold from in-floor bins

One Motion.

The simple fold-and-stow system allows the head restraints¹⁰ to fold down automatically for easier operation and reveals what makes Town & Country legendary: Stow 'n Go seating and storage with in-floor storage bins and fold-in-floor second- and third-row seats. When the seats are in their upright positions, in-floor bins can accommodate carry-ons.

Available Third-row Power Seats.

With the touch of a button, the available one-touch power-folding third-row 60/40 split-bench seat folds directly into the floor. This feature also includes obstacle detection¹¹ to automatically pause if something is detected within the seat's path of motion.

Tailgate Seat.*

The generous accommodations include an ingenious flip option for the third-row seat — folding it down over the bumper for a perfect tailgating bench. You'll gain space to stretch for putting on gear, watching the kids' game or simply enjoying the view from your personal shelter while you stay dry and comfortable.

*Tailgate seat mode should not be used when vehicle is in motion. Always wear your seat belt.



Stow space transforms to storage space



Store It in the Floor

Premium Division at Play.

The Town & Country Limited incorporates its own level of sophistication, adding standard features to the Touring-L model, such as all three rows of seating with super-soft Alcantara® suede inserts in Black with Nappa leather bolsters, interior Piano Black appliques and detailed armrest stitching. This version includes a heated steering wheel, navigation capability via the Uconnect® touchscreen, eight-way power driver and front-passenger seats, heated front- and second-row seats, seating for seven and a one-touch power-folding third-row seat. Standard features also include the premium class-exclusive² Super Console for additional storage that includes device charging and USB outlets.

Always Room for Good Sports

Take It Easy.

Some days, things just seem a little tougher than others, so your Town & Country helps to keep everyone happy and comfortable no matter the distance. The standard three-zone temperature controls, sunscreen glass, power third-row vents, power second-row windows, six stereo speakers and an available single-DVD or dual-DVD system make passengers pleasantly content. Make more room inside with the standard Stow N Place® Roof Rack System, and ease your passengers' ins-and-outs with the standard dual power sliding doors and liftgate along with the power door locks to keep all the precious cargo secure in your family room on wheels.

PLENTY OF IN-FLOOR STORAGE WHEN SEATS AREN'T STOWED

Properly secure all cargo.

T&C TOURING-L IN TORINO LEATHER TRIM – BLACK



T&C LIMITED PLATINUM IN BLACK NAPPA LEATHER TRIM WITH ULTRASUEDE® ACCENTS

Limited Platinum Interior Amenities.

The heated wood/leather-wrapped steering wheel takes the Limited Platinum model's distinguished quality and ultra driver convenience to the foremost level along with memory features for heated front seats, mirrors and power adjustable pedals. A standard optimized nine-speaker-with-subwoofer Alpine® 506-watt sound system and Dual-DVD/Blu-ray® Entertainment System enhance the cabin experience.

Town & Country Stands for Automotive Loyalty.

The revered popularity and long-standing, innovative versatility are part of why the Chrysler Town & Country is the most trusted minivan ever! Touring-L adds perforated leather-trimmed seats for distinctive styling along with 8-way power driver and front-passenger seats, window shades, available heated steering wheel and available class-exclusive² Super Console for enhanced convenience. Touring-L also includes a standard SafetyTec™ Package with driver-aided advanced technologies like Blind Spot Monitoring (BSM)² and Rear Cross-Path Detection².



S Attitude from the Inside.

A monotone Black interior, unique to the Town & Country S, starts with Black Torino leather-trimmed seats with Silver stitching and embroidered S logo, and Black Ballistic cloth seat inserts. Piano Gloss Black appliqué is found on the instrument panel and the spokes of the Black leather-wrapped steering wheel, and the Chrysler wing design on the steering wheel matches the Black background of the exterior badging. Finishing interior touches include a Black headliner and upper consoles, Black center console and an S logo in the instrument panel cluster. A premium Super Console provides power outlets, cup holders, covered storage and more to both front and second-row passengers.

It's the Level of Safety and Security That You'll Call Peace of Mind

Safety Cage

Strategically Placed High-strength Steel. Town & Country architecture includes dual-phase, high-strength and hot-stamped steel, resulting in a strong safety cage that contributes to overall vehicle-impact performance.

Crumple Zones.

In the event of an impact, specifically designed front and rear crush zones absorb energy and redirect it away from passengers, helping to reduce the risk of injury.



Available SafetyTec™ Package.

Additional technologically advanced offerings are bundled among the 55 standard and available safety and security features that help to protect what matters most. The SafetyTec Package includes rain-sensing windshield wipers, Auto High-Beam Headlamp Control, Tire Pressure Monitoring Display, ParkSense® Rear Park Assist,⁹ and Blind Spot Monitoring (BSM)¹² with Rear Cross-Path Detection.⁹ These active technological features put Town & Country in a class by itself.

Available Tire Pressure Monitoring System.

Individual tire pressure values are displayed in the instrument cluster and alert the driver to tires with high or low pressure.

Constant-Force Retractors.

Seat belt retractors sense vehicle impact and immediately apply pressure to the seat belt to properly position the occupant before the full load of impact is imparted. It then reduces the seat belt load in order to moderate forces during the impact event.

Active Front-row Head Restraints.¹⁰

In the event of a rear-end collision, these restraints automatically move forward and upward to decrease the space between the head restraint¹⁰ and the occupant's head.

Securing Your Most Valuable Assets.

All Town & Country vehicles are equipped with the child restraint anchorage system called LATCH. The system has three vehicle anchor points for installing LATCH-equipped child seats without using the vehicle's seat belts.

Power Liftgate with Obstacle Detection.¹¹

Like the sliding doors, the power liftgate detects most obstacles¹¹ in its path and will automatically stop and reverse.

Child Protection Rear Door Locks.

A small lever on the front edge of the sliding door disables the rear doors' inside release handles.



Air Bags¹³

Advanced Multistage Front Air Bags.¹³

The multistage feature regulates the amount of force necessary for the front occupants by impact severity, including low-risk deployment.

Front Seat-mounted Side Air Bags.¹³

Additional air bags¹³ are integrated into the front seats to offer pelvic and thorax protection. The air bags¹³ deploy consistently with driver and front-passenger seat positions.

Supplemental Side-curtain Air Bags.¹³

These air bags¹³ extend protection to all outboard front- and rear-seat passengers, including third-row outboard passengers. Upon side impact, the system deploys the specific side-curtain air bag¹³ required for occupant protection.

Driver's-side Inflatable Knee Blocker.¹³

This separate air bag¹³ located in the lower instrument panel is designed to help position the driver properly for the front air bag¹³.





Automatic Safety and Security

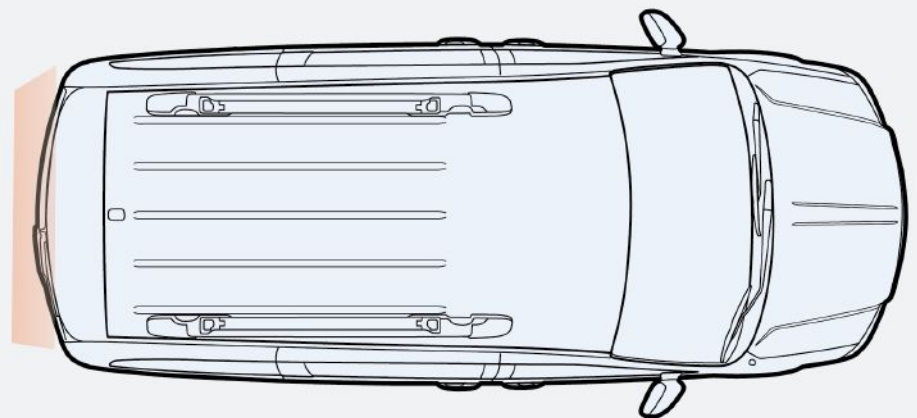
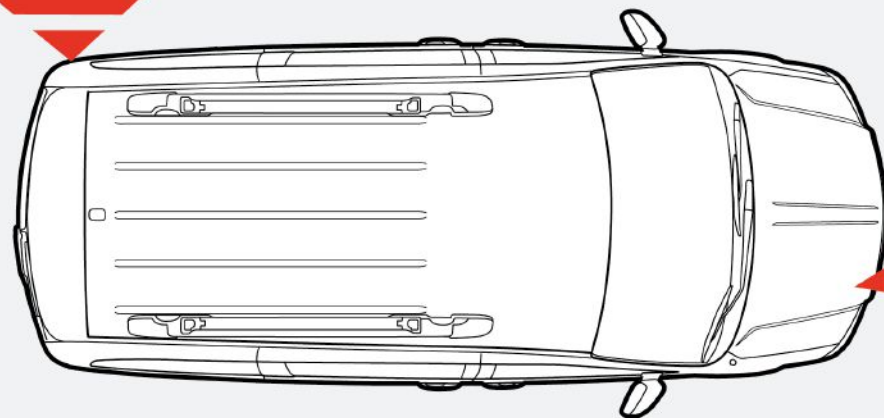
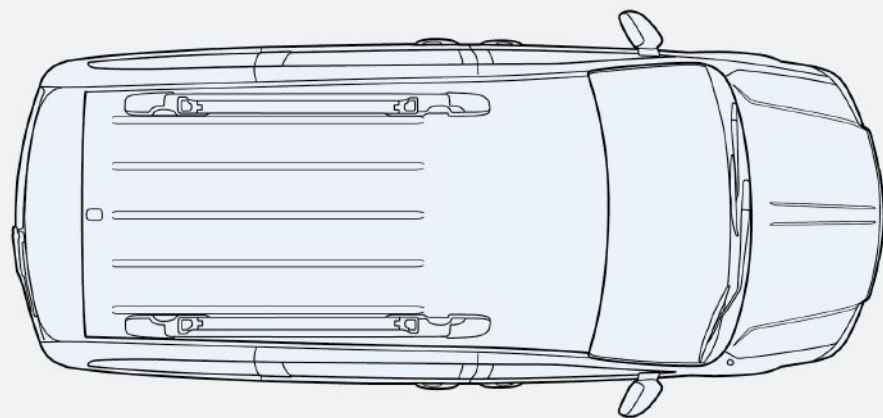
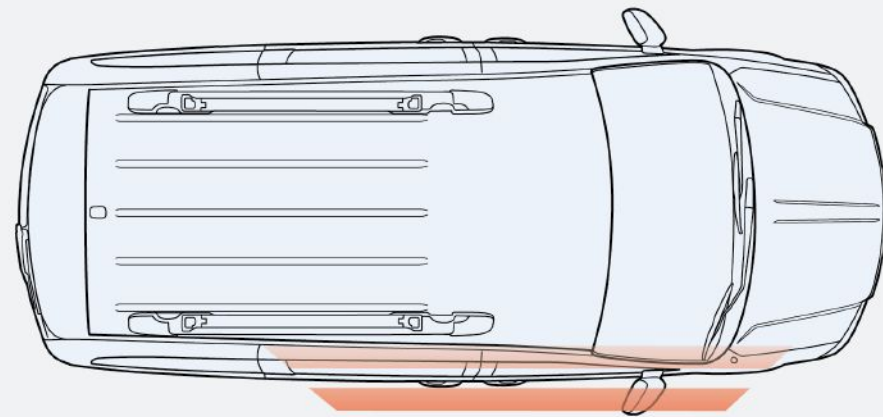
Automatic High-Beam Headlamps.

Seeing better equals safer driving. The available Automatic High-Beam Headlamp Control System uses sensors to detect ambient light and oncoming traffic. The system automatically adjusts the brightness of the high beams to enhance nighttime visibility while helping to reduce glare for oncoming drivers.



Blind Spot Monitoring (BSM)¹²

Difficult-to-view side-vehicle zones are also monitored by the radar technology of this available feature, which alerts you to possible proximity danger when driving. While traveling in forward gears, an illuminated icon appears in the driver's sideview mirror and an audible warning sounds (if activated) if another vehicle is approaching alongside. BSM¹² is included as part of the available SafetyTec™ Package and includes Rear Cross-Path Detection.⁹



Standard ParkView® Rear Back-Up Camera⁹

When your vehicle is moving in Reverse, the ParkView Rear Back-Up Camera⁹ provides a wide-angle view of the area immediately behind your vehicle and displays it on the Uconnect® touchscreen.



Rear Cross-Path Detection⁹

Included as part of the available SafetyTec™ Package, Rear Cross-Path Detection⁹ alerts the driver to most approaching low-speed vehicles when backing out of parking spots, for example.

ParkSense® Rear Park Assist⁹

This available feature uses radar technology to detect most obstacles⁹ behind the vehicle and gives the driver both visual and audible alerts about those obstacles.



Enhanced Accident Response System (EARS).

All Town & Country vehicles are equipped with EARS. This system makes it easier for emergency personnel to see and reach occupants in the event of an accident by turning on interior lighting, flashing hazard lamps and unlocking doors after air bag¹³ deployment. EARS also shuts off the flow of fuel to the engine.

The Security System That's Always with You

Power Adjustable Pedals.

Available adjustable brake and accelerator pedals allow you to customize their positions, enabling you to maintain a comfortable distance from the steering wheel. The memory function on Limited Platinum customizes each fob's position setting.

Door Alert.

This selectable feature automatically flashes signal lights, indicating which sliding door is open.

Only Premium Minivan with Standard Power Sliding Doors?

With the push of a button, in the cabin or on the key fob, the dual sliding doors effortlessly open. These power doors detect most obstacles¹¹ in their path to automatically halt motion and reverse.

Remote Keyless Entry.

The power sliding doors and power liftgate allow you to slide open rear doors and open the liftgate, all with the touch of just a couple of buttons on the key fob, overhead console or inside the cabin.

Security Alarm.

This system monitors the door-ajar switches, as well as the ignition circuit, for unauthorized entry. The lights flash and the horn sounds, alerting you if someone else is trying to enter your vehicle.



TOWN & COUNTRY LX



SELECT STANDARD EQUIPMENT

powertrain
3.6L Pentastar® V6 Variable Valve Timing (VVT) Engine (283 hp/260 lb-ft)

exterior
17-inch Cast-Aluminum Wheels

interior
Radio 430 with Back-Up Camera⁹
6 Speakers
6.5-inch Touchscreen Display
SiriusXM® Satellite Radio⁴ with 1-year subscription
Tire Inflator Kit (no compact spare)
Leather-trimmed Seating
Stow 'n Go® Seating
Uconnect® Voice Command⁸ with Bluetooth®
Manual Three-zone HVAC
Stow N Place® Roof Rack System
Power Sliding Doors/Liftgate
Front-seat Side Air Bags¹⁵
Leather-wrapped Steering Wheel with Audio and Speed Controls
Sunscreen Glass
Power Locks
Power 2nd-row Windows
Power 3rd-row Vents

standard wheel
17-inch
Cast-Aluminum



TOWN & COUNTRY TOURING



SELECT STANDARD EQUIPMENT OVER LX

exterior
Fog Lamps
Automatic Headlamps
Chrome Bodyside Molding

interior
Single-DVD Player
Automatic Three-zone HVAC
Power 8-way Driver's Seat
Remote USB Port — Charge Only

standard wheel
17-inch
Cast-Aluminum



TOWN & COUNTRY S



SELECT STANDARD EQUIPMENT OVER TOURING

exterior
17-inch Cast-Aluminum Wheels
Fully Painted Hyper Black
Blacked-out Headlamps
Black Chrome Grille

interior
Leather-trimmed Seats with Fabric Inserts and Silver Stitching
Piano Black Interior Accents
S Badging
Super Console
Dual-DVD/Blu-ray® Entertainment System
Performance Suspension

standard wheel
17-inch
Cast-Aluminum
Fully Painted
Hyper Black



TOWN & COUNTRY TOURING-L



SELECT STANDARD EQUIPMENT OVER TOURING

exterior
17-inch Cast-Aluminum Wheels
Fully Painted Tech Silver
Chrome Mirrors with Signals
Remote Start
SafetyTec™ Package
Blind Spot Monitoring¹⁰
Rear Cross-Path Detection⁹
Rain-sensing Windshield Wipers
Premium Tire Pressure Monitoring System
Auto High-Beam Headlamp Control
ParkSense® Rear Park Assist⁹

interior
Perforated Leather-trimmed Seats
2nd- and 3rd-row Window Shades
8-way Power Passenger Seat
Security Alarm

standard wheel
17-inch
Cast-Aluminum
Fully Painted
Tech Silver



TOWN & COUNTRY LIMITED



SELECT STANDARD EQUIPMENT OVER TOURING-L

exterior
17-inch Cast-Aluminum Wheels Fully Polished
Bright Roof Rails
Bright Door Handles

interior
Navigation
Alcantara® Suede and Leather-trimmed Seats
Super Console
Heated 1st- and 2nd-row Seats
Heated Steering Wheel
Power 3rd-row Folding Seat
Power-folding Mirrors

standard wheel
17-inch
Cast-Aluminum
Polished Face with
Painted Pockets



TOWN & COUNTRY LIMITED PLATINUM



SELECT STANDARD EQUIPMENT OVER LIMITED

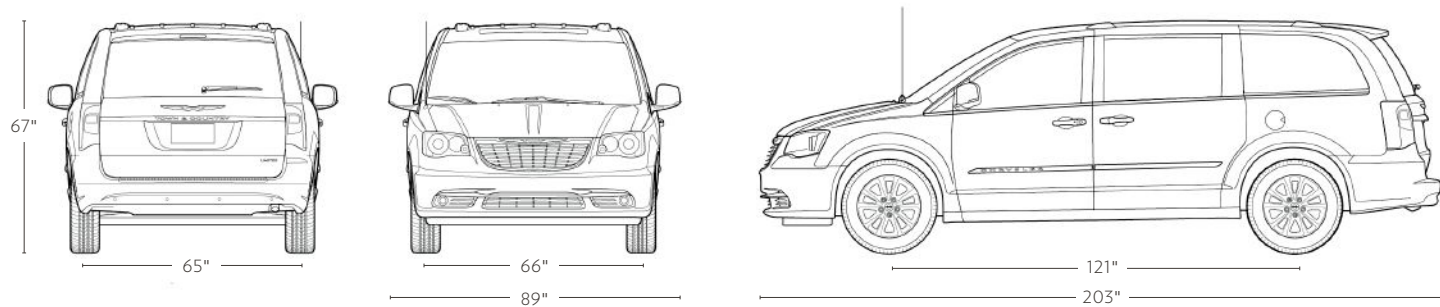
exterior
Sunroof
17-inch Cast-Aluminum Wheels Fully Painted Satin Silver
Compact Spare Tire

interior
9 Speakers with subwoofer and 506-watt Amplifier
Nappa Premium Leather-trimmed Seats
Memory — Seats, Mirrors, Power Adjustable Pedals
Heated Wood/Leather-wrapped Steering Wheel
High Intensity Discharge (HID) Headlamps
Dual-DVD/Blu-ray® Entertainment System

standard wheel
17-inch
Cast-Aluminum
Fully Painted
Satin Silver



T&C DIMENSIONS





BUILD & PRICE



FIND A DEALER

SELECT FEATURES	LX	TOURING	S	TOURING-L	LIMITED	LIMITED PLATINUM
POWERTRAIN						
Engine/Transaxle — 3.6L Pentastar® V6 VVT Flex Fuel with 6-speed automatic	*	*	*	*	*	*
MECHANICAL FEATURES						
Alternator — 160-amp	*	*	*	*	*	*
Battery — 730-amp, maintenance-free	*	*	*	*	*	*
Brakes — 4-wheel antilock with vented front and solid rear discs	*	*	*	*	*	*
Engine Block Heater	O	O	O	O	O	O
Engine Oil Cooler	*	*	*	*	*	*
Defroster — Rear window	*	*	*	*	*	*
Fuel Optimizer Switch	*	*	*	*	*	*
Fuel Tank — 20-gallon with tethered cap	*	*	*	*	*	*
Heavy-duty Engine Cooling — Includes engine oil cooler, heavy-duty transmission cooler and heavy-duty radiator	*	*	*	*	*	*
Horn — Dual-note, electric	*	*	*	*	*	*
Speed Control — Electronic with steering wheel-mounted controls	*	*	*	*	*	*
Steering — Power, rack and pinion	*	*	*	*	*	*
Suspension — Touring-tuned, front independent MacPherson struts with rear twist-beam axle with coil springs	*	*	*	*	*	*
— Performance suspension			*			
— Load-leveling and height-control (included in Trailer Tow Group or Mobility Prep Group)	P	P	P	P	P	P
Tip Start — Quiet start, prevents double starts	*	*	*	*	*	*
EXTERIOR FEATURES						
Door Handles — Body-color	*	*	*	*	*	*
— Bright (included in Driver Convenience Group)		P		P	*	*
Door Locks — Power	*	*	*	*	*	*
Doors — Passenger-side power-sliding	*	*	*	*	*	*
— Driver-side power-sliding	*	*	*	*	*	*
Fascia — Body-color front and rear, with rear scuff pad	*	*	*	*	*	*
Fog Lamps — Projector		*	*	*	*	*
Glass — Sunscreen	*	*	*	*	*	*
Grille — Bright	*	*	*	*	*	*
— Black Chrome			*			
Headlamp Bezels — Black			*			
Headlamps — Quad-halogen with headlamps-off time delay	*	*	*	*	*	*
— Dual High Intensity Discharge (HID) with headlamps-off time delay						*
— Automatic		*	*	*	*	*
— Auto High-Beam Headlamp Control (included in SafetyTec™ Package)		P	P	*	*	*
Liftgate — Power	*	*	*	*	*	*
Mirrors — Body-color, folding, power, heated	*	*	*	*	*	*
— Chrome, power, heated, with supplemental turn signals, exterior driver's-side auto-dimming				*		
— Chrome, power-folding, heated, with supplemental turn signals and exterior driver's-side auto-dimming					*	
— Chrome, power-folding, heated, with supplemental turn signals and exterior driver's-side auto-dimming with memory feature						*
Molding — Body-color bodyside	*	*	*	*	*	*
— Bright bodyside		*	*	*	*	*
— Bright belt	*	*	*	*	*	*
Remote Proximity Keyless Entry (included in Driver Convenience Group)		P		P	*	*
Remote Start (included in Driver Convenience Group)		P		*	*	*
Roof Rack — Stow N Place® with Black side rails	*	*	*	*	*	*
— Stow N Place with bright side rails with Black end caps					*	*
Sill Appliqué — Body-color	*	*	*	*	*	*
Sunroof — Power, includes dual rear mini overhead consoles with two bins (replaces overhead console and appliqué sunglasses bin; included in the Anniversary Edition)		O		O/P	O	*

* = Included. O = Optional. P = Available within Package noted.

SELECT FEATURES	LX	TOURING	S	TOURING-L	LIMITED	LIMITED PLATINUM
EXTERIOR FEATURES (continued)						
Tires — P225/65R17 BSW Touring	*	*	*	O	O	O
— P225/65R17 BSW All-Season	O	O	O	*	*	*
Tire Inflator Kit	*	*	*	*	*	*
— Compact spare tire	O	O	O	O	O	*
Wheels — 17-inch Cast-Aluminum	*	*	*	*	*	*
— 17-inch Cast-Aluminum Fully Painted Hyper Black			*			
— 17-inch Cast-Aluminum Fully Painted Tech Silver				*		
— 17-inch Cast-Aluminum Fully Polished					*	
— 17-inch Cast-Aluminum Fully Painted Satin Silver						*
Windows — Power front one-touch up/down on the driver's side and one-touch down on the passenger side	*	*	*	*	*	*
— Power 2nd-row	*	*	*	*	*	*
— Power rear-quarter vents	*	*	*	*	*	*
Windshield Wipers — Variable/intermittent	*	*	*	*	*	*
— Rain-sensing (included in SafetyTec™ Package)		P	P	*	*	*
— Rear window wiper/washer	*	*	*	*	*	*
INTERIOR FEATURES						
Air Conditioning — Three-zone temperature control	*	*	*	*	*	*
— Automatic three-zone temperature control with particulate air filter		*	*	*	*	*
Assist Handles — Front-passenger, mounted on A-pillar; 2nd-row, mounted in headliner and on B-pillar	*	*	*	*	*	*
Carpet — Floor and cargo area	*	*	*	*	*	*
Clock — Analog	*	*	*	*	*	*
Console — Overhead with interior observation mirror, sunglasses bin, LED lamps and switches for power doors and liftgate	*	*	*	*	*	*
— Single rear overhead console system includes four storage bins, 2nd- and 3rd-row swivel LED lamps and halo light ring (replaced by dual mini overhead console if sunroof is ordered; if ordered, the video screens will delete the overhead storage bins)	*	*	*	*	*	*
Electronic Vehicle Information Center (EVIC) — Color display in instrument panel with controls on the steering wheel		*	*	*	*	*
Floor Mats — Easy-clean (included in the Anniversary Edition)	O	O	O	O/P	O	O
Floor Silencer — Rear	*	*	*	*	*	*
Garage Door Opener — Programmable, three-function with remote controls for garage door openers, interior/exterior home lighting or security devices	*	*	*	*	*	*
Glove Box — Dual	*	*	*	*	*	*
Grocery Bag Hooks — Rear, 3rd-row seatback and driver seatback	*	*	*	*	*	*
Interior Accents — Chrome	*	*	*	*	*	*
Keyless Enter 'n Go™ (included in Driver Convenience Group)		P		P	*	*
Lighting — Overhead ambient surround lighting	*	*	*	*	*	*
— Rear swiveling reading/courtesy	*	*	*	*	*	*
— Liftgate, single floodlamp	*	*	*	*	*	*
— LED, located in overhead that illuminates the front center cup holder and console	*	*	*	*	*	*
— Illuminated front-door storage	*	*	*	*	*	*
— Door courtesy lamps	*	*	*	*	*	*
Mirrors — Rearview, auto-dimming	*	*	*	*	*	*
— Illuminated visor vanity	*	*	*	*	*	*
Power Outlets — 12-volt DC located in instrument panel and rear quarter-trim panel	*	*	*	*	*	*
— Auxiliary, 12-volt in instrument panel	*	*	*	*	*	*
— Auxiliary, 115-volt inverter with auxiliary outlets in front of driver's-side quarter-trim panel	*	*	*	*	*	*
Shades — 2nd- and 3rd-row retractable window (included in Driver Convenience Group)		O	O/P	*	*	*
Shift Knob — Leather-wrapped	*	*	*	*	*	*
Steering Column — Tilt/telescoping, manual	*	*	*	*	*	*

* = Included. O = Optional. P = Available within Package noted.

SELECT FEATURES	LX	TOURING	S	TOURING-L	LIMITED	LIMITED PLATINUM
INTERIOR FEATURES (continued)						
Steering Wheel — Leather-wrapped	•	•	•	•	•	
— Leather-wrapped with accents			•			
— Wood/leather-wrapped						•
— Steering wheel-mounted audio controls	•	•	•	•	•	•
— Heated (included in Driver Convenience Group)		P	P	P	•	•
— Black Gloss-finished instrument panel appliques			•		•	
Storage — Open bin in lower instrument panel, with left rear quarter-trim bin	•	•		•	•	
— Premium, removable, sliding floor console with cup holders and power outlet; can be adjusted for 2nd-row passenger use	•	•		•		O
— Super Console — Integrated center console with covered storage bins, cup holders for 1st and 2nd rows, large storage drawer and two power outlets			•	O	•	•
SEATING						
Fabrics — Premium cloth		O				
— Leather-trimmed 1st- and 2nd-row	•	•				
— Perforated leather-trimmed 1st- and 2nd-row				•		
— Black Torino leather-trimmed 1st- and 2nd-row with embroidered S logo in seatbacks and Black Ballistic cloth inserts			•			
— Nappa leather-trimmed with Alcantara® suede inserts, 1st- and 2nd-row bucket seats					•	
— Luxury Nappa leather-trimmed 1st- and 2nd-row with suede microfiber accents						•
Front — 8-way power driver's seat with two-way power lumbar adjuster	O	•	•			
— Eight-way power driver's seat and eight-way front-passenger seat, with two-way power lumbar adjuster for driver's seat (Limited Platinum includes driver's-seat memory feature)				•	•	•
— Heated front (included in Driver Convenience Group)		P	P	P	•	•
— Heated 2nd-row (included in Driver Convenience Group)			P	P	•	•
Rear — Stow 'n Go® seating and storage system with intermediate bucket seats with fold-in-floor and rear 60/40 split-folding bench with fold-in-floor and tailgate position features	•	•	•	•	•	•
— Intermediate luxury buckets with rear fold-in-floor seating				O		O
— Power one-touch-folding 3rd-row with power recline					•	•

• = Included. O = Optional. P = Available within Package noted.

EXCLUSIVE STOW 'N GO. Fold-and-stow system allows the head restraints¹⁰ to fold down automatically for simple, one-motion operation.



AVAILABLE POWER THIRD-ROW SEATS. One-touch power-folding third-row 60/40 split-bench seat folds directly into the floor.



SELECT FEATURES	LX	TOURING	S	TOURING-L	LIMITED	LIMITED PLATINUM
UCONNECT®						
Radio 430 — CD/DVD/MP3/HDD radio with 6.5-inch touchscreen, hard drive (approximately 6,700-song capacity), GraceNote Music ID®, auxiliary jack, SiriusXM® Satellite Radio ⁴ and ParkView® Rear Back-Up Camera ⁹	•	•	•	•		
Radio 430N — CD/DVD/MP3/HDD radio with 6.5-inch touchscreen, GPS Navigation, hard drive (approximately 4,250-song capacity), SiriusXM Satellite Radio ⁴ , SiriusXM Travel Link ⁴ , GraceNote Music ID, iPod® control, auxiliary jack, Bluetooth® Streaming Audio and ParkView Rear Back-Up Camera ⁹		O	O	O	•	•
SiriusXM Satellite Radio ⁴ — Includes one-year subscription	•	•	•	•	•	•
Speakers — Six	•	•	•	•	•	•
— Nine, amplified with subwoofer; includes 506-watt amplifier						•
Video Screen — 2nd-row 9-inch QVGA screen with DVD player		•		•	•	
— 2nd- and 3rd-row 9-inch QVGA screens with DVD player and Blu-ray® player			•	O	O	•
SAFETY & SECURITY FEATURES						
Active Head Restraints ¹⁰ — Front-row seats	•	•	•	•	•	•
Air Bags ¹⁵ — Advanced multistage driver and front-passenger, includes low-risk deployment	•	•	•	•	•	•
— Side-curtain ¹⁵ for outboard occupants in all three rows	•	•	•	•	•	•
— Front seat-mounted side ¹⁵	•	•	•	•	•	•
— Driver's-side inflatable knee blocker ¹⁵	•	•	•	•	•	•
Blind Spot Monitoring (BSM) ¹² (included in SafetyTec™ Package)		P	P	•	•	•
Child Seat Anchor System (LATCH) — Mounts for two child seats in the 2nd row help ease the installation of compatible aftermarket child seats	•	•	•	•	•	•
Electronic Stability Control (ESC) ¹⁴ — Includes Brake Assist and All-Speed Traction Control	•	•	•	•	•	•
ParkSense® Rear Park Assist System ⁹ (included in SafetyTec Package)		P	P	•	•	•
ParkView Rear Back-Up Camera ⁹	•	•	•	•	•	•
Pedals — Power adjustable with memory feature						•
Rear Cross-Path Detection ⁹ (included in SafetyTec Package)		P	P	•	•	•
Remote Keyless/Illuminated Entry System — Includes two transmitters, Sentry Key® anti-theft engine immobilizer and headlamps-off time delay	•	•	•	•	•	•
Security Alarm (included with Driver Convenience Group)		P		•	•	•
Sliding-door Alert System ¹¹ — Hazard lamps flash when sliding door is in operation, signaling other drivers that passengers could be entering/exiting the vehicle	•	•	•	•	•	•
Tire Pressure Monitoring System — Displays tire pressure for each individual tire (included in SafetyTec Package)		P	P	•	•	•
Tire Pressure Monitoring Warning Lamp	•	•	•			
Trailer Sway Control ¹⁴	•	•	•	•	•	•
Uconnect Voice Command ⁵ — Requires Bluetooth compatible phone; includes remote USB port	•	•	•	•	•	•
PACKAGES/EQUIPMENT GROUPS						
Anniversary Edition — Includes Anniversary radio splash screen and floor mats, power sunroof and Driver Convenience Group (this package is limited availability)				P		
Driver Convenience Group — Includes heated steering wheel, heated front seats, heated 2nd-row seats (except on Touring), security alarm (on Touring), Remote Start (on Touring), Remote Proximity Keyless Entry (except on S) and Keyless Enter 'n Go™ (except on S)		O	O	O		
Dual-DVD/Blu-ray Entertainment Group — Includes 2nd- and 3rd-row QVGA 9-inch screens, Blu-ray DVD player, high-definition multimedia interface (HDMI) and USB charging ports, wireless headphones and video remote control			•	O	O	•
Mopar® Web ⁷ — An Authentic Accessory from Mopar		O	O	O	O	O
SafetyTec Package — Includes rain-sensing windshield wipers, Auto High-Beam Headlamp Control, Tire Pressure Monitoring Display, ParkSense Rear Park Assist System, Blind Spot Monitoring ¹² and Rear Cross-Path Detection ⁹		O	O	•	•	•
Single-DVD Entertainment Group — Includes 2nd-row 9-inch QVGA screen, HDMI and USB charging ports, wireless headphones and video remote control		•		•	•	
Trailer Tow Group — Includes Class II hitch receiver and load-leveling and height-control suspension		O	O	O	O	O

• = Included. O = Optional. P = Available within Package noted.



Choose Authentic Chrysler Accessories by Mopar® for quality parts and accessories made to custom-fit your Chrysler Town & Country. Mile after mile, you'll keep going strong with our expert technicians, genuine parts, Mopar Vehicle Protection® plans, Express Lane Service and online Mopar Owner Connect website. See your Chrysler dealer for all the latest parts and accessories. You can learn more about the world of Mopar and all it has to offer at mopar.com

The Chrysler Collection.
Bring the Chrysler brand style and distinction to your lifestyle in and out of your vehicle with authentic professional, active, travel and home accessories and apparel for your favorite Chrysler enthusiast. Shop the complete collection to show you know what earned luxury is all about at collection.chrysler.com

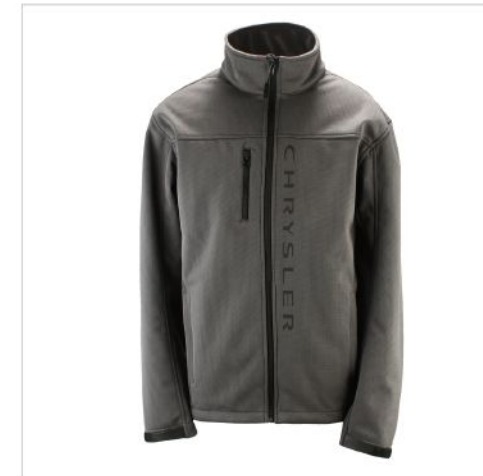
collection.chrysler.com

Molded Running Boards.

Stylishly substantial boards feature a high-strength durable substructure that can take the pounding your family dishes out. Available in select body colors.



Properly secure all cargo.



Chrysler Charcoal Performance Cap (Item# 11A2V)

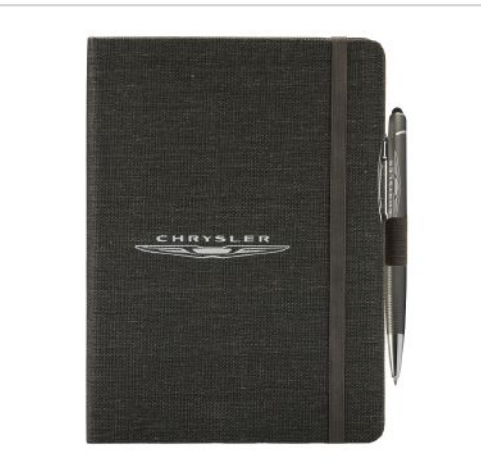
Wear this performance cap anywhere and show your Chrysler pride.

Specifications:
Performance fabric; unstructured; pre-curved visor; pull-tab backing; 3D embroidered Chrysler wing logo (lower right front); one size fits most; available in charcoal.

Men's Chrysler Thermal UV Softshell Jacket (Item# 11DF0)

This men's thermal UV softshell jacket works hard, plays hard and looks great ... just like you!

Specifications:
100% polyester thermo tech construction; 30+ UV protection; 8,000MM waterproofness/1,000gm breathability; self-mock neck; zipper front with zipper guard; long sleeves with top panel; adjustable plastic velcro tape at end of sleeves; right side chest pocket with zipper and zipper garage; two-welt front pockets with zipper and fleece lining; extended sport hem; laser-etched Chrysler word along zipper; sizes: S - 2XL; available in graphite.



A. Chromed Billet Aluminum Grille Insert.

Make your grille stand out with this custom design that features chromed billet aluminum for durability, and a unique diamond design.

B. Wireless Charging Pad.

Leave your cords behind and slip into the future. Just equip your smartphone with the cover* that integrates wire-free charging technology and the green light lets you know it's charging. Professionally installed and within reach, charging becomes second nature every time you drive your car.

*A voucher to redeem applicable wireless smartphone cover is included with purchase of the Wireless Charging Pad.

C. Hitch-Mount Bike Carrier.†

Hitch-mount carrier comes in two-bike and four-bike styles (both fit two-inch receivers) that fold down to allow for your vehicle's liftgate to open without having to remove bikes. Features carrying clamps, security cable and a bolt.

D. Hitch Receiver.*

Built for the long haul, the receiver allows towing of 1,800 lb. Hitch Ball, Ball Mount, Hitch Plug and Wiring Harness sold separately.

†Properly secure all cargo.

*Check User Guide for hitch type, load capacity and heavy-duty equipment required. Do not exceed rated tow capacity of the vehicle as equipped. Trailer may require items not supplied by Mopar.

Ladies' Chrysler Fine Jersey Short-sleeve T-shirt (Item#10N56)

Add this soft and comfortable tee to your existing wardrobe. Available in black.

Specifications:
- 4.5oz fine jersey
- 100% cotton
- Baby rib neck band
- S - XL
- Custom retro diner design screened on front chest in gray

Chrysler h2go® Force Water Bottle (Item# 11DF1)

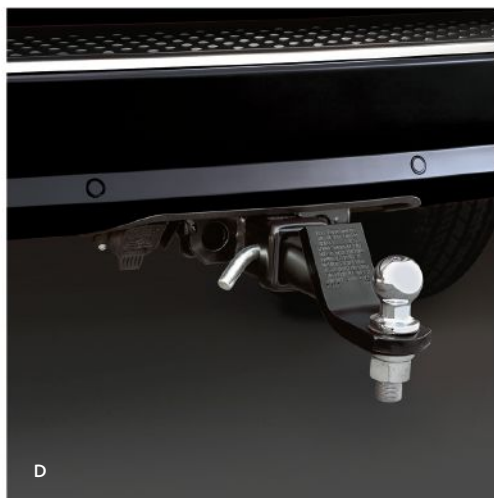
This 17oz h2go® force water bottle is great for travel, working out or going just about anywhere!

Specifications:
- 17oz capacity
- Double-wall stainless-steel construction
- Thermal bottle with copper vacuum insulation
- Threaded stainless steel lid
- Black Chrysler wing logo
- 3" W x 10 1/2" H
- Available in matte gray

Chrysler Journal and Pen Combo (Item# 11DFC)

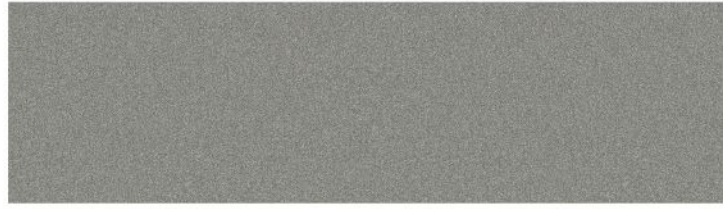
Perfect for students, artists and business executives alike.

Specifications:
- Linen hard-cover journal with an interior gusseted pocket on back inside cover
- 192 ivory-lined, perforated pages (non-refillable)
- Matching Glacio aluminum push-action ballpoint pen/stylus
- Hot-stamped Chrysler wing logo (journal); laser-engraved Chrysler wing logo (pen)
- 5 1/2" W x 8 1/4" L (journal)
- Available in gray



D

T&C EXTERIOR COLORS



BILLET SILVER METALLIC



BRIGHT WHITE



BRILLIANT BLACK CRYSTAL PEARL



DEEP CHERRY RED CRYSTAL PEARL



CRYSTAL BLUE PEARL*



TRUE BLUE PEARL*



CASHMERE PEARL*



GRANITE CRYSTAL METALLIC

T&C LX AND TOURING (STANDARD)



TORINO LEATHER TRIM – BLACK

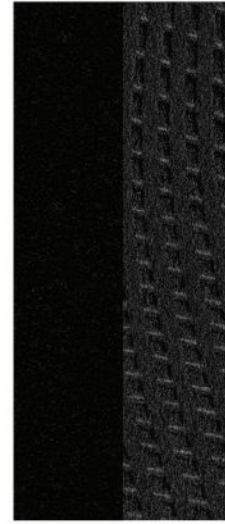


TORINO LEATHER TRIM – MEDIUM FROST BEIGE

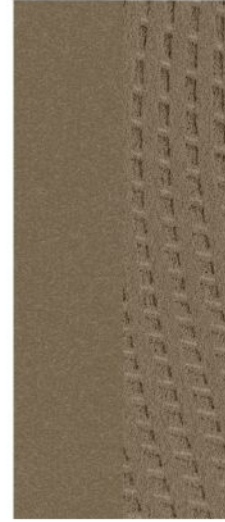


TORINO LEATHER TRIM – LIGHT GRAYSTONE

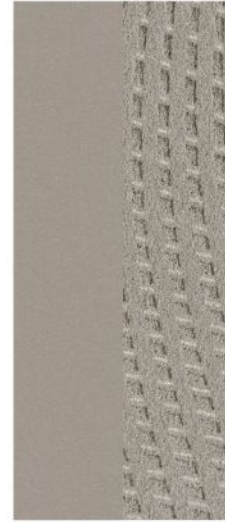
T&C TOURING (OPTIONAL)



CLOTH – BLACK



CLOTH – MEDIUM FROST BEIGE

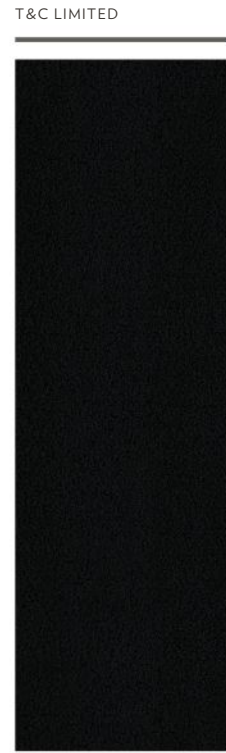


CLOTH – LIGHT GRAYSTONE

T&C S



TORINO LEATHER TRIM WITH FALLS CLOTH INSERTS – BLACK

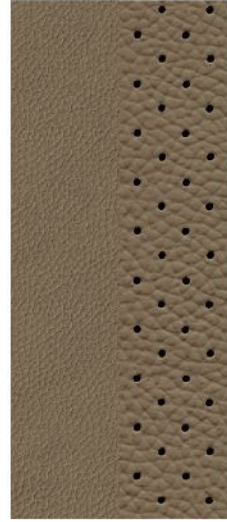


NAPPA LEATHER TRIM WITH ALCANTARA® SUEDE INSERTS WITH LIGHT GRAYSTONE ACCENT STITCHING – BLACK

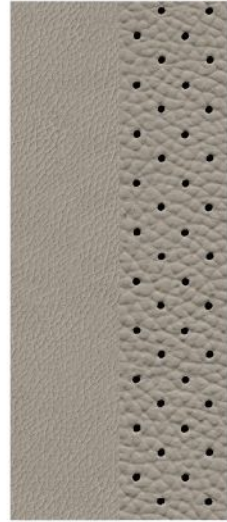
T&C TOURING-L



TORINO LEATHER TRIM WITH AXIS I PERFORATIONS – BLACK



TORINO LEATHER TRIM WITH AXIS I PERFORATIONS – MEDIUM FROST BEIGE



TORINO LEATHER TRIM WITH AXIS I PERFORATIONS – LIGHT GRAYSTONE

T&C LIMITED PLATINUM



NAPPA LEATHER TRIM WITH ULTRASUEDE ACCENTS – BLACK



NAPPA LEATHER TRIM WITH ULTRASUEDE ACCENTS – MEDIUM FROST BEIGE



NAPPA LEATHER TRIM WITH ULTRASUEDE® ACCENTS – LIGHT GRAYSTONE

T&C LIMITED

*Not available on S.

RESEARCH

BUILD & PRICE

COMPARE MODELS

COMPETITIVE COMPARE

SIGN-UP FOR UPDATES

LOCATE

FIND A DEALER

SCHEDULE A TEST DRIVE

COST

VIEW INCENTIVES & OFFERS



WARRANTIES

Chrysler vehicles are covered by an FCA US LLC 3-Year/36,000-Mile Basic Limited Warranty (excludes normal maintenance and wear items), as well as a 5-Year/60,000-Mile Powertrain Limited Warranty that is fully transferable and includes 5-Year/100,000-Mile Roadside Assistance services: Flat Tire, Lockout, Towing, Out of Gas/Fuel Delivery and Battery Jump Assistance. Ask your dealer for details and a copy of these limited warranties.

AUTOMOBILITY

The FCA US LLC Automobility Program provides aftermarket reimbursement incentives on adaptive vehicle upfit equipment in order to help provide safe and reliable vehicle modifications to enhance accessibility for all people. For more information, call (800) 255-9877 or visit chryslerautomobility.com

SIRIUSXM® SATELLITE RADIO⁴

SiriusXM Satellite Radio⁴ delivers over 150 channels, including commercial-free music, sports, news, talk, entertainment, traffic and weather. Factory-installed SiriusXM Satellite Radio⁴ includes a one-year subscription. For more information, go to siriusxm.com

MOPAR OWNER CONNECT

STAY CONNECTED. Your Chrysler vehicle ownership gives you the credentials to access extensive vehicle information, service and maintenance records, recall notifications, and special offers through whatever device you prefer — computers, smartphones or tablets! Register your Chrysler brand vehicle at owners.chrysler.com or download the **Chrysler Vehicle Owners** app for free at either the Apple or Google Play stores.



Earn 3 points per \$1 on qualifying purchases made at FCA US LLC dealerships, 2 points per \$1 on qualifying travel purchases and 1 point per \$1 on qualifying purchases everywhere else with the new Chrysler MasterCard.[®] Points may be redeemed at your local dealership for cash off your new or used vehicle, accessories, parts or service — including your next oil change. Or choose from hundreds of other rewards, including travel, cash back to your account, merchandise or gift cards.¹⁵ For more information or to apply, visit ChryslerCard.com

MOPAR VEHICLE PROTECTION[®]

Mopar Vehicle Protection has a vested interest in your satisfaction and owner experience with your new Chrysler brand vehicle. This is the only extended protection provider backed by the manufacturer, FCA US LLC. We stand behind every Mopar Vehicle Protection plan with certified, factory-trained technicians and the use of authentic Mopar parts. Your plan is honored at over 2,600 dealerships within the United States, Canada, Puerto Rico and Mexico. Be sure to ask for a Mopar Vehicle Protection plan at your dealership, call (800) 442-2666 or visit moparvehicleprotection.com

JOIN IN

Join fellow enthusiasts and tell your story by posting comments, participating in discussions, and sharing your Chrysler vehicle photos and videos. Join our community on Facebook (facebook.com/Chrysler), follow us on Twitter (twitter.com/Chrysler), Google+ (plus.google.com/+Chrysler), Instagram (instagram.com/Chrysler) and Pinterest (pinterest.com/Chrysler), and check us out on YouTube (youtube.com/TheChryslerChannel). Thank you for following.

5 YEAR / 60,000 MILE
POWERTRAIN LIMITED WARRANTY

AUTOMOBILITY
PROGRAM
CHRYSLER | JEEP | DODGE | RAM

SIRIUSXM
SATELLITE RADIO

MOPAR
OWNER
CONNECT

MOPAR
VEHICLE
PROTECTION

Uconnect

(1) Based on 2001 through 2013 model year repurchase rates. (2) Based on latest available competitive information and the FCA US LLC Premium Minivan segment. (3) SiriusXM subscriptions for audio and data services are sold by SiriusXM to follow your trial subscription. If you decide to continue listening after your trial, the subscription plan you choose will automatically renew thereafter and you will be charged according to your chosen payment method at then-current rates. Fees and taxes apply. To cancel, you must call SiriusXM at 1-866-635-2349. See the SiriusXM Customer Agreement for complete terms and more information at www.siriusxm.com. All fees and programming subject to change. Your equipment and features for SiriusXM services will vary depending upon the vehicle you select and may be limited in select markets. (4) SiriusXM subscriptions for audio and data services are sold by SiriusXM to follow your trial subscription. If you decide to continue listening after your trial, the subscription plan you choose will automatically renew thereafter and you will be charged according to your chosen payment method at then-current rates. Fees and taxes apply. To cancel, you must call SiriusXM at 1-866-635-2349. See the SiriusXM Customer Agreement for complete terms and more information at www.siriusxm.com. All fees and programming subject to change. Your equipment and features for SiriusXM services will vary depending upon the vehicle you select and may be limited in select markets. (5) Requires a mobile phone equipped with the Bluetooth Hands-Free Profile. Visit UconnectPhone.com for system and device compatibility. (6) Voice Text Reply and Voice Texting features require a compatible mobile device enabled with Bluetooth Message Access Profile (MAP). iPhone and some other smartphones do not currently support Bluetooth MAP. Visit www.UconnectPhone.com for system and device compatibility. Ensure MAP is ON and incoming message notification is enabled. Vehicle must be registered for Uconnect Access and you must fulfill minimum subscription requirements. Also requires the use of a compatible smartphone that supports text messaging and Bluetooth. Check UconnectPhone.com for device compatibility. (7) Uconnect Web feature is not intended for use by the driver while the vehicle is in motion. Always drive carefully. Subscription required. (8) Uconnect Access is available only on equipped vehicles purchased within the contiguous United States plus Alaska. Services can only be used where cellular coverage is available, see coverage map for details. For a complete list of Uconnect Access services, please visit http://www.driveuconnect.com/features/uconnect_access/packages/. Vehicle must be registered for Uconnect Access and fulfill minimum subscription requirement. (9) Always look before proceeding. An electronic drive aid is not a substitute for conscientious driving. Always be aware of your surroundings. (10) Always sit properly with the head restraint properly adjusted. Never place anything in front of the head restraint. (11) Detects most obstacles. As with all electronically controlled systems, care is advised. (12) Always check visually for vehicles prior to changing lanes. (13) The Advanced Front Air Bags in this vehicle are certified to the new U.S. Federal regulations for Advanced Air Bags. Children 12 years old and younger should always ride buckled up in a rear seat. Infants in rear-facing child restraints should never ride in the front seat of a vehicle with a passenger front air bag. All occupants should always wear their lap and shoulder belts properly. (14) No system, no matter how sophisticated, can repeal the laws of physics or overcome careless driving actions. Performance is limited by available traction, which snow, ice and other conditions can affect. When the ESC warning lamp flashes, the driver needs to use less throttle and adapt speed and driving behavior to prevailing road conditions. Always drive carefully, consistent with conditions. Always wear your seat belt. (15) Complete details, including restrictions, limitations and exclusions, will be available when you become a Cardmember. MasterCard is a registered trademark of MasterCard International Incorporated. This card is issued by First Bankcard, a division of First National Bank of Omaha, pursuant to a license by MasterCard International Incorporated.

©2015 FCA US LLC. All rights reserved. Chrysler, the Chrysler wing design, Jeep, Dodge, Ram, Town & Country, Automobility Program, Mopar, Mopar Owner Connect design, Mopar Vehicle Protection, ParkSense, ParkView, Pentastar, Sentry Key, Stow 'n Go, Stow N Place and Uconnect are registered trademarks, and Keyless Enter 'n Go and SafetyTec are trademarks of FCA US LLC.

Alcantara is a registered trademark of Alcantara S.p.A. Alpine and the Alpine logo are registered trademarks of Alpine Electronics, Inc. All rights reserved. Bluetooth is a registered trademark of Bluetooth SIG, Inc. Blu-ray is a registered trademark of Blu-ray Disc Association. Disney is a registered trademark of Disney. All rights reserved. Facebook is a registered trademark of Facebook, Inc. Garmin and the Garmin logo are registered trademarks of Garmin, Ltd. or its subsidiaries and are registered in one or more countries. GraceNote and MusicID are registered trademarks of Gracenote Inc. in the United States and/or other countries. h2go is a trademark of ETS EXPRESS, INC. All Rights Reserved. Instagram is a registered trademark of Instagram, Inc. iPad, iPhone, iPod and iTunes are registered trademarks of Apple Inc. Pinterest is a registered trademark of Pinterest, Inc. Sirius XM and all related marks and logos are trademarks of SiriusXM Radio Inc. The Twitter name, logo, Twitter T, Tweet and Twitter bird are trademarks of Twitter, Inc. in the United States and other countries. UltraSuede is a registered trademark of Toray Industries, INC. YouTube, Google Play and Google+ are registered trademarks of Google Inc. Xbox 360 is a registered trademark of Microsoft.

This brochure is a publication of FCA US LLC. All product illustrations and specifications are based upon current information at the time of publication approval. FCA US LLC reserves the right to make changes from time to time, without notice or obligation, in prices, specifications, colors and materials, and to change or discontinue models, which are considered necessary to the purpose of product improvement or for reasons of design and/or marketing.