

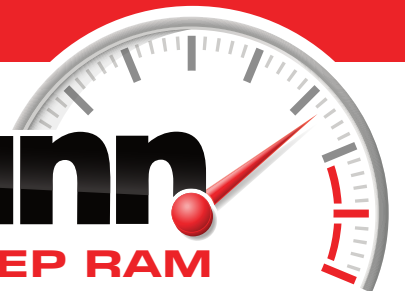
# GRAND CHEROKEE

2016



2016 JEEP GRAND CHEROKEE

**Behlmann**  
CHRYSLER DODGE JEEP RAM



AUTHENTICITY

PASSION

*ADVENTURE. It manifests any number of ways. Wanderlust. A longing to learn. An appreciation for living in the moment with a simple curiosity for what lies beyond the next turn. Here's to making the most of the next 75 adventurous years.*

ADVENTURE

FREEDOM

SINCE 1941



*CELEBRATING*

75  
YEARS

*— of the —*

*GO ANYWHERE,  
DO ANYTHING®*  
SPIRIT

*MOST AWARDED SUV EVER / 3.0L ECODIESEL V6 ENGINE† / 8-SPEED  
AUTOMATIC TRANSMISSION / BEST-IN-CLASS<sup>1\*</sup> FUEL ECONOMY / WORLD-  
CLASS QUADRA-LIFT® AIR SUSPENSION SYSTEM† / EXCEPTIONAL  
SELEC-TERRAIN® TRACTION MANAGEMENT† / BEST-IN-CLASS<sup>2</sup> OFF-  
ROAD CAPABILITY† / SELEC-SPEED® CONTROL† / DUAL REAR-SEAT  
ENTERTAINMENT SYSTEM† / MOST LUXURIOUS VEHICLE IN ITS  
CLASS<sup>3</sup> / NATURA PLUS LEATHER AND REAL OPEN-PORE WOOD TRIM† /  
HARMAN KARDON® 19-SPEAKER PREMIUM AUDIO SYSTEM† /  
BEST-IN-CLASS<sup>4</sup> DRIVING RANGE / 7-INCH MULTI-VIEW DISPLAY CLUSTER /  
HIGH INTENSITY DISCHARGE (HID) HEADLAMPS AND LED TAILLAMPS† /  
BEST-IN-CLASS<sup>5</sup> GROUND CLEARANCE / UCONNECT® 8.4 NAV† / SIRI  
INTEGRATION† / UCONNECT ACCESS<sup>6</sup> WITH 9-1-1 CALL<sup>7</sup> AND ROADSIDE  
ASSISTANCE CALL<sup>8†</sup> / ELECTRIC POWER STEERING / BEST-IN-CLASS<sup>9</sup>  
MAXIMUM TOWING† / STEERING WHEEL-MOUNTED PADDLE SHIFT  
CONTROL / 70 STANDARD AND AVAILABLE SAFETY & SECURITY FEATURES /  
BEST-IN-CLASS<sup>10</sup> TORQUE / COMMANDVIEW® DUAL-PANE SUNROOF†*

=====

*TRAVEL WELL, FAR AND WIDE.*

=====



\*A note about this brochure: all disclaimers and disclosures can be found on the back cover. †Available.

Grand Cherokee Summit® California Edition in Brilliant Black Crystal Pearl.

*MOST AWARDED SUV EVER*

*Best-in-class<sup>1</sup>  
FUEL  
ECONOMY*

*Best-in-class<sup>2</sup>  
OFF-ROAD  
CAPABILITY*

*Best-in-class<sup>4</sup>  
DRIVING  
RANGE*

*Best-in-class<sup>10</sup>  
TORQUE*

*Best-in-class<sup>9</sup>  
MAXIMUM  
TOWING*

*MOST LUXURIOUS  
VEHICLE IN ITS CLASS<sup>3</sup>*

*Jeep® Grand Cherokee has  
RECEIVED MORE ACCOLADES  
than any other SUV on the planet.*



**GRAND CHEROKEE SUMMIT.** Once you reach the Summit, there's no other place you'd rather be. Enjoy the very best with authentic Jeep® brand capability and luxury, expressed in exquisite materials and design. Welcome to the most luxurious vehicle in its class.<sup>2</sup>

**ELEGANT TOUCHPOINTS.** Grand Cherokee Summit offers a distinctly upscale sensory experience. Leather-trimmed seats, console, and instrument and door panels call to be touched. Real open-pore wood and suede-like material offer a very rich appeal.

**ACOUSTIC GLASS WITH ACTIVE NOISE CANCELLATION.** The peaceful cabin of Grand Cherokee Summit puts the sound of traffic and wind far behind, thanks to acoustic glass with active noise cancellation. It's in place on the windshield, and the front and rear side glass.

**HARMAN KARDON® PREMIUM AUDIO.** This state-of-the-art system puts you right inside the concert hall, thanks to Logic 7® multichannel 360-degree Surround-Sound processing via 19 speakers and 825 watts of power. Advanced engineering produces pure music pleasure for all passengers, with every recording.

**8.4-INCH TOUCHSCREEN.** The Uconnect® 8.4 NAV radio keeps you entertained and on course. Voice activation lets you safely control it all while your hands stay on the wheel — change radio stations, control cabin temps and much more.

**ABUNDANT UP-FRONT STORAGE.** Keep items neatly in their rightful place, with center console storage and covered center-stack bin, driver- and passenger-side cubbies, map pockets, cup holders and a cavernous glove box.

=====

FREEDOM SPEAKS TO US ALL.  
*Everything changes when we listen closely.*

=====



Limited in Light Brownstone Pearl.



Grand Cherokee Summit® in Granite Crystal Metallic.

BEST-IN-CLASS<sup>2</sup> OFF-ROAD CAPABILITY

SNOW

SAND

## NATURAL SELECTION

### *Selec-Terrain<sup>®</sup> Traction Management*

Every Grand Cherokee equipped with an available 4x4 system arrives with a Jeep<sup>®</sup> Selec-Terrain system, giving you the power to tackle Mother Nature's toughest conditions. You'll have five settings that deliver ultimate driving stability by coordinating 12 vehicle systems, including throttle control, transmission shifting, transfer case, traction control and Electronic Stability Control (ESC).<sup>1†</sup>

Choose from five sure-footed modes: Auto, Snow, Sand, Mud and Rock.



AUTO

ROCK

MUD







THE ABSOLUTE BEST  
*awaits you.*

Limited in Brilliant Black Crystal Pearl.



**GRASP THE FINER THINGS.** A leather-wrapped steering wheel includes standard paddle shifters, controls for the seven-inch full-color Multi-View Display Cluster, Uconnect® phone and Integrated Voice Command<sup>12</sup> with Bluetooth® and Siri® controls, plus audio and cruise controls. Standard.



**KEYLESS ENTER 'N GO.<sup>TM</sup>** Live, ride and drive key-free. This technology automatically unlocks doors when you pull the handle, eliminating the fumbling for keys. Once inside, a simple press of the STOP/START button brings the engine to life. Available.



**EASIER ACCESS.** Engage the Quadra-Lift® Air Suspension system and lower Grand Cherokee's height to Park mode when letting passengers in or out. Adjust to three other suspension height modes for highway cruising and off-road travel. Available.



# CONFIDENCE.

When you're backed by authentic Jeep® brand 4x4 capability, you're ready for anything. Grand Cherokee gives you four distinctive four-wheel-drive selections, all engineered to overcome challenging road conditions and weather. Confidently face all extreme conditions with an available Jeep 4WD system.



GRAND CHEROKEE SRT®

WHEN SPEED AND  
CAPABILITY MARRIED,  
*a new breed was born.*



**160-MPH**  
TOP SPEED

**4.8**  
SECONDS  
0 – 60 MPH

**MID 13-**  
SECOND  
QUARTER-MILE

**116-FT**  
BRAKING DISTANCE  
60 – 0 MPH

**POWERTRAIN.** SRT® bears a 6.4L 475-hp HEMI® V8 engine that feeds a Quadra-Trac® Active On-Demand 4WD system. An eight-speed automatic transmission with steering wheel-mounted paddle shifters helps you go full throttle on the track, to reach a hair-raising top speed of 160 mph.

**IT'S ALL ABOUT THE RIDE.** The Selec-Track® adaptive damping system lets you customize the ride and handling settings this beast delivers. Vehicle dynamics are tuned to allow you to experience the ride you require via five modes: Track, Sport, Auto, Snow and Tow. Or create a custom drive profile via the new Custom Mode.

**LAUNCH FAST, STOP FAST.** The Launch Control button optimizes every possible setting for maximum acceleration off the line. The Brembo® high-performance brake system (ABS) provides the stopping power you need. A new, optional performance brake package with slotted two-piece front rotors and rear rotors helps make sure the job gets done.

**ATHLETIC LOOKS.** A tight-to-the-road stance, wide footprint and sinister “blacked out” front end are functionally fit. Distinctive headlamps, bright LED daytime running lamps (DRLs) and turn signals, along with the unique honeycomb grille in the front and dual exhaust in the rear add even more intimidation.

**RACE-INSPIRED INTERIOR.** Exclusive appointments give a high-performance feel. The SRT® leather-wrapped steering wheel with paddle shifters dominates, while the available Harman Kardon® 19-speaker audio system's 825-watt amplifier delivers ultimate fidelity. Nappa leather-trimmed and suede front seats with sculpted bolsters and adjustable headrests are built for racing.

**NEW LIGHTWEIGHT WHEEL.** This new available 20-inch, bright and shiny object of attention is composed of lightweight forged aluminum, thus helping to reduce overall weight and improve driving dynamics. Heads will definitely turn.



*When the ride is as captivating  
as the view, you know you're  
on to something good.*

.....  
*The most luxurious vehicle  
in its class<sup>3</sup> gives new  
meaning to "well-traveled."  
Welcome to the #JeepLife.*





SOPHISTICATED ADVENTURE.

.....  
*Enjoy the ride.*



**UCONNECT® ACCESS® APP.** Use your computer or the custom smartphone app from virtually anywhere to remotely lock or unlock your vehicle, start the engine, warm up or cool down the interior, or sound the horn and flash the lights. Available.

**TRAFFIC AND TRAVEL DATA.** Enjoy five-year trial subscriptions to both SiriusXM® Travel Link<sup>13</sup> and SiriusXM Traffic.<sup>13</sup> Each service offers detailed information that can help you safely reach your destination. Available.

**INSTANT VEHICLE INSIGHT.** Scroll through a rich selection of real-time data, displayed front and center on a seven-inch color screen. From available navigation to safety alerts, fuel usage to Selec-Terrain® data, you can customize what you see.

Grand Cherokee Summit® interior in Grand Canyon – Jeep® Brown.



Grand Cherokee Summit® California Edition in Ivory White Tri-Coat (new for 2016).



*Bring the outer world in with open-air freedom, like only a Jeep® vehicle can. All passengers enjoy expanded views, thanks to the available CommandView® Dual-Pane Panoramic Sunroof with its two panels that cover both front and second-row seats.*

*MAKE A WISH.*



*SEE MORE STARS.*

Limited in Bright White.



-----  
*AVAILABLE COMMANDVIEW® DUAL-PANE PANORAMIC SUNROOF*  
-----





# YOUR WORLD IS ENRICHED BY GREAT CONNECTIONS.

GRAND CHEROKEE BRINGS A RANGE OF COMMUNICATION AND ENTERTAINMENT SERVICES STRAIGHT INTO YOUR VEHICLE, ALL BUNDLED TOGETHER WITHIN A ROBUST UCONNECT SYSTEM. WITH SO MANY CONVENIENT OPTIONS TO CHOOSE FROM, DISCOVER HOW YOU WOULD LIKE TO CONNECT AT [DRIVEUCONNECT.COM](http://DRIVEUCONNECT.COM)



## DISCOVER NEW PLACES\*

Find the best shopping, dancing, entertainment venues and restaurants.

## NAVIGATE TO ADVENTURE\*

Get turn-by-turn directions so you don't get lost along the way (unless you want to).

## SPEAK UP AND BE HEARD

Send and receive calls and texts<sup>14</sup> while driving safely with hands-free<sup>12</sup> phone capability. Standard.

## NEW TO UCONNECT® 8.4

Customize your screen with six features and services using the **Drag & Drop Menu Bar**.  
Use voice commands to access 12 hands-free<sup>12</sup> features with iPhone®-friendly **Siri® Eyes Free®**.  
Stay focused by rerouting calls, suppressing texts and enabling automated replies with **Do Not Disturb**.

## HOST A WIFI HOTSPOT<sup>15</sup>\*

Upload and download, post and search — Uconnect with available WiFi<sup>15</sup> lets you connect your devices to the Web.

## SEE INTO THE FUTURE

With SiriusXM® Travel Link,<sup>13</sup> you'll get national and local weather forecasts — up to five days out. Five-year trial subscription included on properly equipped vehicles.

## LISTEN TO MUSIC AND SPORTS

Access a variety of genres, and save your favorite artists and songs with SiriusXM Satellite Radio.<sup>13</sup> One-year All Access<sup>13</sup> trial subscription included. Standard.

## DICTATE YOUR REPLY

Stay focused and keep them informed with Voice Text Reply.<sup>14</sup> Available.

## ASSISTED IN EMERGENCIES

Reach 9-1-1<sup>17</sup>\* operators and Roadside Assistance<sup>18</sup>\* with the touch of a button. Available.

## START YOUR CAR FROM AFAR

Get your engine running, unlock your doors or flash your headlamps using your phone.\*



SiriusXM All Access.<sup>13</sup> Hear commercial-free music, plus your favorite sports, news, talk and entertainment AND listen to your SiriusXM<sup>13</sup> favorites outside your vehicle by streaming your service online and on the app — it's all included in your trial subscription. Available.

Overland\* in Billet Silver Metallic.

\*Available with Uconnect and/or Uconnect Access®



## FEATURES GALLERY

.....

*Take a closer look at the features you'll love most.  
Discover what goes into making the  
2016 Jeep® Grand Cherokee everything you need.*

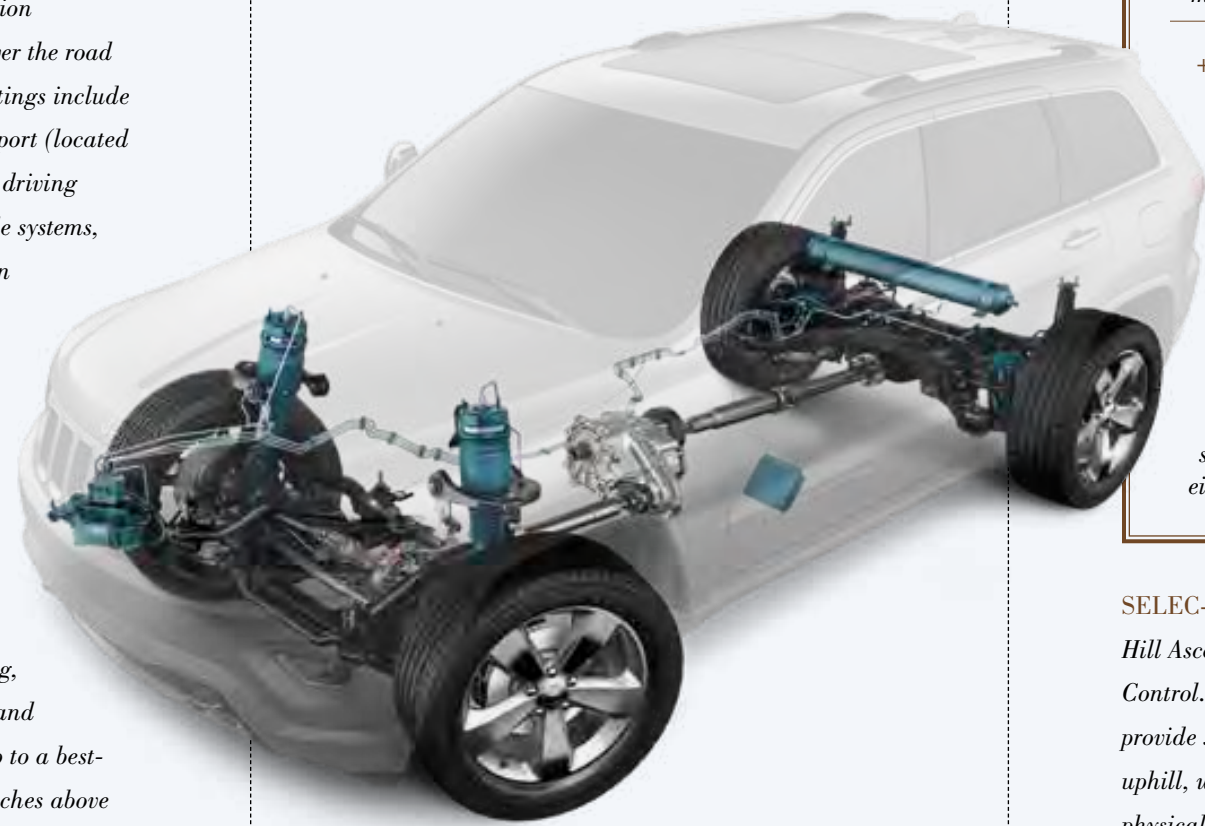


**SELEC-TERRAIN® TRACTION MANAGEMENT SYSTEM:** Grand Cherokee's renowned capability is tailored to fit the terrain before you. Selec-Terrain adapts traction performance to expertly tackle whatever the road ahead has in store. The selectable settings include Snow, Sand, Auto, Mud, Rock and Sport (located on center stack), giving you ultimate driving confidence by coordinating 12 vehicle systems, including throttle control, transmission shifting, transfer case, traction control and Electronic Stability Control (ESC).<sup>11</sup> Available.

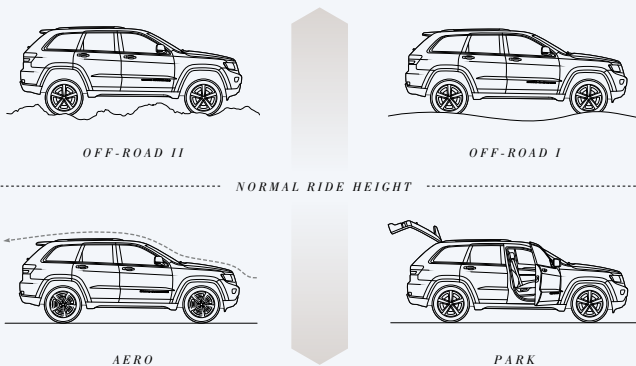
**QUADRA-LIFT® AIR SUSPENSION SYSTEM:** This is how to move ahead with an air-cushioned, adjustable ride height that smooths on-road handling, increases fuel efficiency, eases entry and loading, and lifts Grand Cherokee up to a best-in-class<sup>5</sup> ground clearance of 10.8 inches above rocks and snowbanks — all with finger-touch control. Lower it 1.6 inches from normal for easier entry, exit and loading. Available.

**ELECTRIC POWER STEERING WITH SELECTABLE DRIVE MODES:** Allows you to adjust your steering to match your driving style. Go with the factory setting for your daily commute, or select Comfort or Sport mode, and steering-wheel tension is adjusted accordingly.

EASILY ADAPTS.  
RISES TO  
EVERY OCCASION.



— THE MODES OF QUADRA-LIFT —



JEEP® 4x4 SYSTEMS

+ **QUADRA-DRIVE® II** employs an Electronic Limited-Slip Differential that can transfer up to 100 percent of torque to the rear wheel(s) with traction to help you maintain forward movement. Available.

+ **QUADRA-TRAC II®** offers all-speed traction control via a two-speed low transfer case that can quickly distribute power to the axle with the most traction. Available.

+ **QUADRA-TRAC I®** is fully automatic, offering a continual balance of torque distribution; if slippage occurs, torque is transferred to the axle with the most traction. Available.

+ **QUADRA-TRAC® ACTIVE ON-DEMAND 4WD SYSTEM** features a massive mechanical “wet” clutch and rear Electronic Limited-Slip Differential that can send 100% of available torque to either rear wheel. Exclusive to SRT®.

**SELEC-SPEED® CONTROL:** Selec-Speed adds Hill Ascent Control to the familiar Hill Descent Control. Hill Ascent engages the throttle to help provide stable low-range control when going uphill, whereas Hill Descent uses engine and physical braking to aid in vehicle control when going downhill. Available.

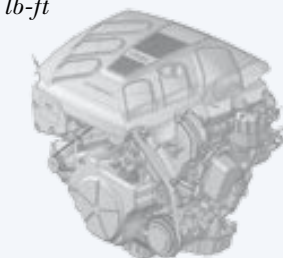
**TRAIL RATED® CAPABILITY:** Excel in extreme conditions like mud, sand, snow or ice when your Grand Cherokee is equipped with an authentic Trail Rated 4WD system. Every Trail Rated badge indicates testing and mastery in five performance categories: Traction, Ground Clearance, Maneuverability, Articulation and Water Fording.<sup>16</sup> Available.



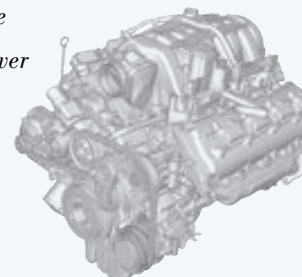
REFINED PERFORMANCE.  
POWERFUL LUXURY.



**3.0L ECODIESEL V6 ENGINE:** Best-in-class<sup>1</sup> fuel economy treats your fuel budget with respect, while reduced CO<sub>2</sub> emissions display reverence for the environment. The EcoDiesel exceeds the low-emissions requirements in all 50 states. Best-in-class<sup>1</sup> fuel economy arrives with an estimated 22 city/30 hwy mpg\* and a best-in-class<sup>4</sup> driving range of more than 730 highway miles per tank. That's because, compared to gasoline, a gallon of diesel fuel converts to a greater amount of usable energy. And with its command of 240 hp and a hefty 420 lb-ft of torque, the EcoDiesel provides a surge of towing strength that can haul up to 7,400 lb when properly equipped. Available.

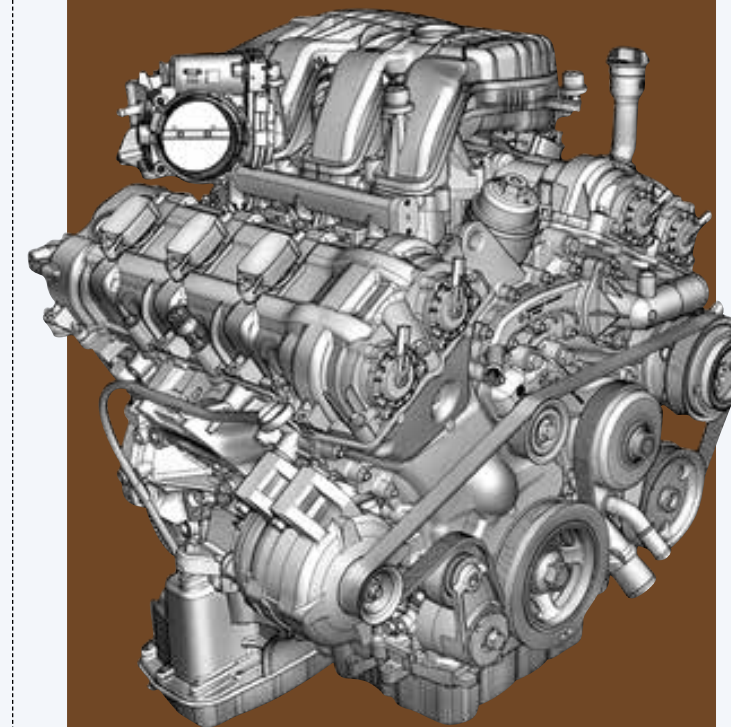


**5.7L V8 ENGINE:** This available workhorse churns out best-in-class<sup>9</sup> maximum towing power of up to 7,400 lb when properly equipped. It gives out 360 hp and a brawny 390 lb-ft of torque, while employing additional fuel-saving efficiencies thanks to Variable Valve Timing (VVT), Fuel Saver Technology and the 8-speed automatic transmission. Available.



\*Based on 2015 EPA estimates. Actual mileage may vary.

3.6L PENTASTAR® V6 ENGINE



Three times named one of Ward's "10 Best Engines," the Pentastar engine successfully combines strength with an efficient performance. Paired with the 8-speed automatic transmission, it achieves 290 hp, a 2015 EPA-estimated 17 city/25 hwy mpg\* and cranks out enough power to tow up to 6,200 lb when properly equipped. Economies are gained and emissions are reduced with Stop/Start technology that automatically shuts the engine off at full stops, then re-engages during takeoff. Its smooth and virtually unnoticeable technology is engineered to help deliver an efficient performance. Standard.



**8-SPEED AUTOMATIC TRANSMISSION WITH NEW SHIFTER:** It glides with a smooth and quick efficiency, consistently using energy to its best advantage. Its construction provides additional gears with no gain in weight, enhanced acceleration with reduced fuel consumption and increased torque with added strength to pull. You can customize your shift schedule by engaging the steering wheel-mounted paddle shifters. Switch to the available Sport mode and your shift schedule and engine power are both adjusted to hand over a sportier driving experience. It all adds up to a ride that delivers powerful strength without compromise.

ECO-MODE.

This selectable feature constantly works to maximize your fuel efficiency by automatically modifying the shift schedule of the 8-speed automatic transmission and torque converter. Your idle speed is gently lowered, allowing gains in precious mpg. The Multi-View Display Cluster in your instrument panel can inform you of just how efficiently Eco-Mode is performing every mile along the way.



Grand Cherokee Summit® interior in Argentina – Black/Dark Sienna Brown.

## EXPANSIVE INNER BEAUTY.

**BEAUTIFUL FUNCTION:** Grand Cherokee's leather-trimmed and very functional steering wheel. Fingertips can operate a fine range of available features, including Integrated Voice Command<sup>12</sup> with Bluetooth® audio controls, cruise control, climate, navigation, Siri®, Multi-View Display Cluster and more.

**ELEGANT TOUCHPOINTS:** Premium Natura Plus leather is featured on the interior of Grand Cherokee Summit®, including leather-trimmed seats, console, upper instrument panel and door panels. Real open-pore wood in Grand Cherokee Summit adorns the instrument panel and door trim. The soft, suede-like Dinamica® headliner adds to the rich appeal of Grand Cherokee Summit's unique interior design.

**COMMANDVIEW® DUAL-PANE PANORAMIC SUNROOF:** There's more to be seen when you look up and out via Grand Cherokee's full-power sunroof with a full-length power sunshade in front and a fixed-glass window in the rear. Available.



**INSPIRED BY THE WORLD:** Our designers looked to the natural hues found in some of the world's most iconic landscapes. They discovered inspiration that translates into stunning interiors crafted with lush materials and the most thoughtful details.



**KEYLESS ENTER 'N GO™:** No more fumbling for keys to get going. Keep the key fob in your purse or pocket and you can simply grab the door handle, climb in, press on the brake, press a button and shift into "GO." Available.

**REMOTE START:** Just press the button on your key fob a few minutes prior to takeoff, from as much as 200 feet away. You're ready to roll with a nicely heated or cooled cabin. Available.

**POWER LIFTGATE:** Adds graceful remote accessibility to Grand Cherokee's rear cargo area with capacity up to 68.7 cu ft when the 60/40 split rear seats are folded down. Available.

**HEATED AND VENTILATED FRONT SEATS:** Add quick warmth on cool days and welcome relief when temperatures rise — a small fan gently circulates cool air via perforations within the front seat coverings. Available.



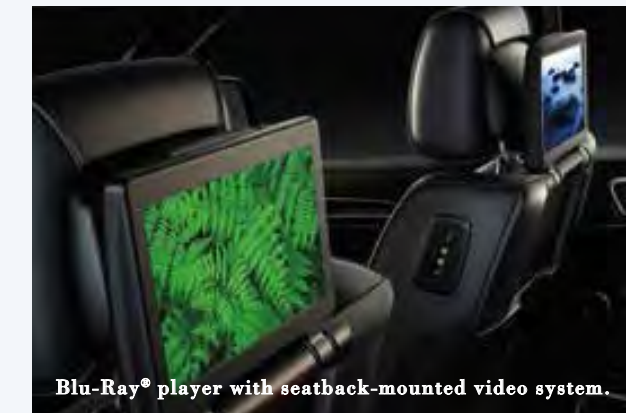
Real open-pore wood inserts.



Heated/ventilated Natura Plus leather-trimmed seats.



Leather-wrapped and stitched instrument panel.



Blu-Ray® player with seatback-mounted video system.

**DUAL-ZONE AUTOMATIC TEMPERATURE CONTROL (ATC):** Constantly adjusts air temperature inside the cabin to create separate customized environments for driver and front passenger. Standard.

**HIGH TECH:** The available Uconnect® 8.4 treats you to a wealth of intuitive features like voice recognition, navigation, climate control, smartphone integration and so much more. And the customizable 7-inch Multi-View Display Cluster offers an easy glimpse at a myriad of vehicle systems and driving information.



**LUXURY FOR AUDIOPHILES:** The Alpine® Surround Sound System, standard on Overland® and optional on Limited, utilizes a high-powered, 12-channel, 506-watt amplifier powering nine speakers and a subwoofer, optimally placed throughout the cabin. Grand Cherokee Summit® comes standard with a world-class Harman Kardon® system that sends 825 watts of power surging into 19 GreenEdge™ speakers (optional on Overland and SRT®), which utilize efficient engineering to improve sound quality while significantly diminishing energy consumption.

**BLU-RAY® PLAYER WITH SEATBACK-MOUNTED VIDEO SYSTEM:** Two available 9-inch high-resolution screens are integrated into the seatback to entertain rear-seat passengers. The system can play standard DVDs as well as Blu-ray discs and includes independent HDMI and RCA inputs for each screen.



**UCONNECT® 8.4:** With its large, 8.4-inch touchscreen, this available Uconnect system now offers even more convenience and safety features. Integrated Voice Command<sup>12</sup> with Bluetooth®, hands-free phone, 3D navigation, SiriusXM® Satellite Radio<sup>13</sup> (1-year trial), Uconnect Access<sup>6</sup> (1-year trial), SiriusXM Travel Link<sup>13</sup> and SiriusXM Traffic<sup>13</sup> (both with 5-year trials) are joined by some advanced, new features:

- Personalize your dashboard with the new **Drag & Drop Menu Bar**. You can highlight your top six favorite features and services so they're always in sight.

- Use Integrated Voice Command<sup>12</sup> with Bluetooth to access 12 hands-free features with **Siri® Eyes Free** (compatible with Apple iPhone® 4s or later). Play music, dictate and send emails, set reminders, place phone calls, access turn-by-turn directions, post to social media and more.

- Remove distractions from calls and texts with help of the new **Do Not Disturb** feature. It enables you to route all incoming calls to voice mail and suppress texts, see a visual prompt of incoming calls and texts, or send an automated reply.



**SIRIUSXM SATELLITE RADIO<sup>13</sup>:** With the SiriusXM All Access<sup>13</sup> package, you get every channel available on your satellite radio, including commercial-free music, sports, news, talk and entertainment. Plus, listen wherever you go on your portable devices with the SiriusXM app,<sup>13</sup> which is included with your 1-year trial. Available.



**SIRIUSXM TRAVEL LINK<sup>13</sup>:** Receive National Weather Service-issued emergency alerts for flooding, winter weather, tornadoes and more. Weather radar provides information on storm direction, speed and track, for a range of severe weather conditions. Current conditions and five-day forecasts help you adjust travel plans accordingly. Your first five years of SiriusXM Travel Link<sup>13</sup> are included. Available.



**SIRIUSXM TRAFFIC<sup>13</sup>:** With SiriusXM Traffic,<sup>13</sup> you can avoid congestion before you reach it. Get detailed information on traffic speed, accidents, construction, road closures and more, and you will get to your destination faster and more easily than ever before. Your first five years of SiriusXM Traffic<sup>13</sup> service are included. Available.



**CONFIGURABLE 7-INCH MULTI-VIEW DISPLAY CLUSTER:** Fingertip controls on your steering wheel can instantly scroll you through a selection of vehicle data displayed within your instrument panel on a 7-inch color screen. Information includes navigation, capability data, performance statistics, vehicle dynamics and alerts. Available. The New SRT® Drive Modes Pages include throttle and shift response data and more. Standard.

**PARKVIEW® REAR BACK-UP CAMERA<sup>17</sup>:** Back out safely with grace. This system helps bring previously hidden rear objects to your attention, either on-screen or with an audible warning, in good time to react. Available.



## YOUR 360° GUARDIAN.

**A SECURE AIR BAG<sup>20</sup> SYSTEM:** Your sense of security is fully respected with Grand Cherokee's all-around air bag<sup>20</sup> system. Full-length side-curtain, seat-mounted side thorax and advanced multistage front and driver's inflatable knee blocker air bags<sup>20</sup> all work in tandem to help provide protection. Standard.

**ADAPTIVE CRUISE CONTROL (ACC STOP) WITH STOP<sup>21</sup>:** Take the guesswork out of keeping a safe distance from the car ahead while cruising on the highway. The system automatically adjusts cruising speed to maintain a preset distance between you and the vehicle ahead and can bring Grand Cherokee to a complete stop without driver intervention to help avoid a collision. Available.

**PARKSENSE® FRONT AND REAR PARK ASSIST SYSTEM<sup>17</sup>:** This system works in tandem with ParkView® to display previously hidden front and rear objects, bringing them to your attention on-screen and with an audible warning so you have time to react. When in Reverse, the on-screen image includes a dynamic distance grid to help gauge your rear perimeter. Available.



**BLIND SPOT MONITORING<sup>22</sup> AND REAR CROSS-PATH DETECTION<sup>17</sup>:** These systems monitor the space between you and other drivers. When a side or rear blind spot is encroached, you're notified via illuminated icons on sideview mirrors or an audible chime. Available.

**FORWARD COLLISION WARNING (FCW+) WITH ACTIVE BRAKING<sup>23</sup>:** Sensors detect when Grand Cherokee may be approaching another vehicle too rapidly and send an audible and visual alert to the driver along with providing 1.5 seconds of brake assistance if the driver does not react in time. Available.

**ELECTRONIC STABILITY CONTROL (ESC)<sup>11</sup>:**



A network of safety sensors helps maintain vehicle control, providing instant aid should they detect you're veering off your intended path. ESC<sup>11</sup> coordinates Electronic Roll Mitigation (ERM), antilock brake system (ABS) and Brake Assist, all-speed traction control and available Trailer Sway Control (TSC);<sup>11</sup> calling upon them as needed. Standard.

**RAIN-SENSING WIPERS AND RAIN BRAKE SUPPORT:** Storm clouds hold little influence over your daily drive. Front wipers activate when raindrops are detected, and a smart brake system helps dry the brake rotors on wet roads. Available.

**SENTRY KEY® ENGINE IMMOBILIZER:** A unique, embedded key code matched only to your vehicle helps keep your Grand Cherokee safely where it belongs.

**CHASSIS STRENGTH:** Delivers exceptional peace of mind with a hero's heart — a strong foundation constructed with 65 percent high-strength steel.



**TRAILER SWAY CONTROL (TSC)<sup>11</sup>:** Crosswinds and traffic hold no sway over you and your payload. As part of ESC,<sup>11</sup> TSC<sup>11</sup> helps keep you and the toys you tow safely on course.



**INTEGRATED VOICE COMMAND<sup>12</sup> WITH BLUETOOTH®:** Multitasking is the way of today's world, even when you're on the road. Integrated Voice Command<sup>12</sup> with Bluetooth allows drivers to safely send, reply or listen to a text,<sup>14</sup> take or make phone calls, request detailed information like fuel prices, get navigation directions and more, while keeping both hands on the wheel. Available.

**UCONNECT ACCESS<sup>6</sup> WITH 9-1-1 CALL<sup>8</sup> AND ROADSIDE ASSISTANCE CALL<sup>8</sup>:** Provides a direct connection to help via two buttons conveniently located on the rearview mirror. Press "9-1-1" to reach a 9-1-1 call center,<sup>8</sup> or press "Assist" to quickly summon roadside help.<sup>8</sup> Available.

**HIGH INTENSITY DISCHARGE (HID) HEADLAMPS/DAYTIME RUNNING LAMPS/ HEADLAMP WASHERS:** Signature LED Daytime Running Lamps add even greater visibility. Optional headlamp washers keep your lenses free of debris. Available.

### UCONNECT ACCESS<sup>6</sup>

This available suite of features and services is the next generation of in-vehicle connectivity, with the ease of Integrated Voice Command<sup>12</sup> with Bluetooth and fingertip control.

**9-1-1 CALL<sup>8</sup>:** In the event of an emergency, a button on your rearview mirror instantly connects you with local authorities.

**ROADSIDE ASSISTANCE CALL<sup>8</sup>:** The "Assist" button on your rearview mirror connects you to Roadside Assistance,<sup>8</sup> which automatically knows your vehicle and location. Additional fees may apply.

**STOLEN VEHICLE ASSISTANCE<sup>10</sup>:** If your vehicle is ever stolen, Uconnect can provide its location to aid police recovery.

**THEFT ALARM NOTIFICATION<sup>10</sup>:** Choose to receive a text or email alert anytime your vehicle's theft alarm is activated.

**VOICE TEXTING<sup>14</sup>:** Drivers stay safely connected with Cloud-based voice texting<sup>14</sup> on compatible Bluetooth-enabled phones, allowing you to hear and dictate messages.

**WIFI HOTSPOT<sup>15</sup>:** Create a mobile hotspot in and around your vehicle, so passengers can connect securely with wireless devices.

**INSTANT IN-VEHICLE ASSIST:** Questions about a Uconnect feature, app or your new Grand Cherokee? Press the "Access" button to connect with the right source for answers.

**UCONNECT ACCESS<sup>6</sup> APP:** From virtually anywhere, use your computer or the custom smartphone app to remotely lock or unlock your vehicle, start the engine, or sound the horn and flash the lights.

**YELP®:** Conduct a real-time local search to find restaurants, coffee shops and other businesses sorted by rating and location.



## THE JEEP LIFE BEGINS

-----  
*MODELS, MEASUREMENTS AND RESOURCES*  
-----

*The road to legendary freedom starts here. Which path will you choose? Every Grand Cherokee model comes with a range of resources to help turn dreamers into doers.*

# GRAND CHEROKEE SUMMIT®

## STANDARD

- 3.6L Pentastar® V6 engine with Stop/Start Technology
- Quadra-Trac II® Active Full-time 4WD system (*with V6, 4x4 only*)
- Quadra-Drive® II 4WD system (*V8/EcoDiesel, 4x4 only*)
- 8-speed automatic transmission with E-shift
- Electric power steering with selectable modes
- Trailer Tow Group IV (*4x4 only*): Heavy-duty engine cooling, Class IV hitch receiver, 4- and 7-pin wiring harness, rear load-leveling suspension and full-size spare tire
- Remote start, power liftgate, remote key fobs
- Quadra-Lift® Air Suspension System and Selec-Terrain® Traction Management System (*4x4 only*)
- Bi-xenon High Intensity Discharge (HID) headlamps, headlamp washers and Signature daytime running lamps with cornering technology
- 20-inch full-polished aluminum wheels with Satin Clear Coat
- Dual rear exhaust with bright tips
- Capless fuel filler door
- Bright roof rails
- Power, heated Chrome sideview mirrors with memory, auto-dimming for driver, courtesy lighting and supplemental turn signals
- Active noise cancellation
- Suede-like premium headliner
- CommandView® Dual-Pane Panoramic Sunroof
- Leather-wrapped heated steering wheel with wood accents, paddle shifters and controls for audio, speed, Multi-View Display Cluster, Integrated Voice Command<sup>12</sup> with Bluetooth® Siri® and Adaptive Cruise Control (ACC STOP)<sup>21</sup> with Stop.
- Leather-wrapped and -stitched instrument panel and armrests with real open-pore wood inserts
- 7-inch Multi-View Display Cluster
- Heated 1st- and 2nd-row leather-trimmed seats, ventilated front seats, air conditioning, Dual-Zone Automatic Temperature Control (ATC)
- Premium Berber carpet mats
- Unique backlit “Summit” sill plates
- Acoustic 2nd-row glass and windshield
- Blind Spot Monitoring,<sup>22</sup> Forward Collision Warning (FCW+)<sup>23</sup> with Active Braking and ACC STOP<sup>21</sup>
- Electronic Stability Control (ESC)<sup>11</sup>
- Front Park Assist,<sup>17</sup> ParkSense® Rear Park Assist System<sup>17</sup> and ParkView® Rear Back-Up Camera<sup>17</sup>
- 7 air bags<sup>20</sup> including advanced multistage driver and front-passenger, side-curtain, supplemental front-seat side, and driver inflatable knee bolster<sup>20</sup>
- Keyless Enter 'n Go™
- Rain-sensing windshield wipers
- Universal garage door opener
- Hill Start Assist (HSA)
- Harman Kardon® 825-watt premium audio system with 19 speakers
- SiriusXM® Satellite Radio<sup>13</sup> includes one-year trial subscription
- SiriusXM Travel Link<sup>13</sup> includes five-year trial subscription

- SiriusXM Traffic<sup>13</sup> includes five-year trial subscription
- Uconnect® 8.4 NAV
- Integrated Voice Command<sup>12</sup> with Bluetooth
- Uconnect Access<sup>6</sup> with 9-1-1 Call<sup>7</sup> and Roadside Assistance Call<sup>8</sup>

## AVAILABLE

- 5.7L V8 engine with Multi-Displacement System (MDS) and Variable Valve Timing (VVT)
  - 3.0L EcoDiesel V6 engine with an EPA estimated 30 mpg hwy (2015)
- QUADRA-DRIVE® II 4WD:** Electronic limited-slip differential for rear axle and Hill Descent Control (*4x4 models only, standard with V8 or V6 EcoDiesel*)

**BLU-RAY® ENTERTAINMENT SYSTEM:** Two flip-up screens mounted on the seatbacks capable of playing DVDs and Blu-ray discs; includes ports for video games or other devices

**TRAILER TOW GROUP IV (*standard on 4x4 models*):** Heavy-duty engine cooling, delete rear tow hook, Class IV hitch receiver, 4- and 7-pin wiring harness, rear load-leveling suspension and full-size spare tire

**GRAND CHEROKEE SUMMIT® CALIFORNIA EDITION:** Body-color door handles and exterior mirrors, Platinum Jeep® badge, Platinum strip taillamp, body-color/Platinum front and rear fascias, body-color sills with Platinum accents, Platinum Chrome grille surround and 20-inch Satin Carbon wheels



20-inch Full-Polished Aluminum with Satin Clear Coat (*standard*)



20-inch Aluminum in Satin Carbon (*available*)



Perforated Natura Plus Leather with Nappa Leather bolsters — Morocco — Black



Perforated Natura Plus Leather with Nappa Leather bolsters — Grand Canyon — Jeep Brown



Perforated Natura Plus Leather with Black accent stitching and piping — Argentina — Black/Dark Sienna Brown



Summit Black Open-Pore Wood Inserts — Morocco and Argentina



Summit Brown Open-Pore Wood Inserts — Grand Canyon

# OVERLAND®

## STANDARD

- 3.6L Pentastar® V6 engine with Stop/Start Technology
- Quadra-Trac II® Active Full-time 4WD system (*with V6, 4x4 only*)
- 8-speed automatic transmission with E-shift
- Electric power steering with selectable modes
- Quadra-Lift® Air Suspension System and Selec-Terrain® Traction Management System (*4x4 only*)
- Bi-xenon High Intensity Discharge (HID) headlamps with Signature daytime running lamps
- Auto High-Beam Headlamp Control
- 20-inch Polished Aluminum wheels with Mineral Gray pockets
- Dual rear exhaust
- Capless fuel filler door
- Chrome tow hooks
- LED fog lamps
- LED taillamps
- Power, heated Chrome sideview mirrors with memory, auto-dimming for driver, courtesy lighting and supplemental turn signals
- Bright roof rails
- Power folding heated mirrors
- CommandView® Dual-Pane Panoramic Sunroof
- Leather-wrapped, heated steering wheel with wood accents, paddle shifters and controls for audio, Siri, speed, Multi-View Display Cluster and Integrated Voice Command<sup>12</sup> with Bluetooth®
- Leather-wrapped and -stitched instrument panel and armrests
- 7-inch Multi-View Display Cluster
- Heated 1st- and 2nd-row leather-trimmed seats, ventilated front seats, air conditioning, Dual-Zone Automatic Temperature Control (ATC)
- Acoustic windshield
- Electronic Stability Control (ESC)<sup>11</sup>
- ParkSense® Rear Park Assist System<sup>17</sup> with Brake Assist and ParkView® Rear Back-Up Camera<sup>17</sup>
- 7 air bags<sup>20</sup> including advanced multistage driver and front-passenger, side-curtain, supplemental front-seat side, and driver inflatable knee bolster<sup>20</sup>
- Keyless Enter 'n Go™
- Remote start, power liftgate, remote key fobs, rain-sensing windshield wipers
- Universal garage door opener
- Hill Start Assist (HSA)
- Uconnect® 8.4 NAV
- Integrated Voice Command<sup>12</sup> with Bluetooth
- Uconnect Access<sup>6</sup> with 9-1-1 Call<sup>7</sup> and Roadside Assistance Call<sup>8</sup>
- Premium Alpine® Surround Sound System with 506 watts, 9 speakers and a subwoofer
- SiriusXM® Satellite Radio<sup>13</sup> includes one-year trial subscription
- SiriusXM Travel Link<sup>13</sup> includes five-year trial subscription
- SiriusXM Traffic<sup>13</sup> includes five-year trial subscription

## AVAILABLE

- 5.7L V8 engine with Multi-Displacement System (MDS) and Variable Valve Timing (VVT)
- 3.0L EcoDiesel V6 engine with an EPA estimated 30 mpg hwy (2015)
- Blind Spot Monitoring<sup>22</sup>

**BLU-RAY® ENTERTAINMENT SYSTEM:** Two flip-up screens mounted on the seatbacks capable of playing DVDs and Blu-ray discs; includes ports for video games or other devices

**HARMAN KARDON®:** 825-watt premium audio system with 19 speakers

**OFF-ROAD ADVENTURE GROUP II:** Quadra Drive® II 4WD, Quadra-Lift® Air Suspension, Selec-Speed® skid plates and tow hooks, Trail Rated® badge, 18-inch wheels

**TRAILER TOW GROUP IV (*4x2 only*):** Heavy-duty engine cooling, delete rear tow hook, Class IV hitch receiver, 4- and 7-pin wiring harness, rear load-leveling suspension and full-size spare tire (*standard on 4x4 models*)

**ADVANCED TECHNOLOGY GROUP:** Advanced Brake Assist, Forward Collision Warning (FCW+) with Active Braking<sup>23</sup> Adaptive Cruise Control (ACC STOP) with Stop<sup>21</sup> Blind Spot Monitoring (BSM)<sup>22</sup> and Rear Cross-Path Detection<sup>17</sup>

**MOPAR® CHROME EDITION GROUP:** Mopar Front and Rear Entry Door Guards, Chrome Exterior Mirror Caps, Chrome Tubular Side Steps and Mopar Bright Pedal Kit

**MOPAR EXTERIOR APPEARANCE GROUP:** Mopar Front and Rear Entry Door Guards, Black Tubular Side Steps and Mopar Bright Pedal Kit



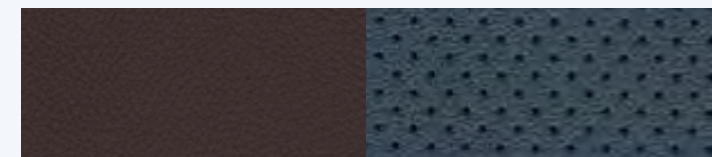
20-inch Polished Aluminum with Mineral Gray Pockets (*standard*)



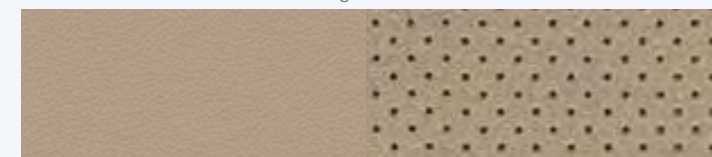
18-inch Polished Aluminum (*available*)



Ventilated Axis Perforated Nappa Leather with accent stitching — Morocco — Black



Ventilated Axis Perforated Nappa Leather with accent-color piping — Vesuvio — Indigo Blue/Jeep® Brown



Ventilated Axis Perforated Nappa Leather with accent-color piping — Nepal — Jeep Brown/Light Frost Beige



High-Gloss Black Zebrano Wood Inserts — Morocco



Open-Pore Zebrano Wood Inserts — Vesuvio and Nepal



# L I M I T E D

## STANDARD

- 3.6L Pentastar® V6 engine with Stop/Start Technology
- Quadra-Trac II® Active Full-time 4WD system (*with V6, 4x4 only*)
- 8-speed automatic transmission with E-shift
- Electric power steering with selectable drive modes
- Heated 1st- and 2nd-row leather-trimmed seats
- Selec-Terrain® Traction Management System (*4x4 only*)
- Power liftgate
- Halogen projector headlamps with daytime running lamps
- Projector fog lamps
- 18-inch Polished Aluminum wheels
- Capless fuel filler door
- LED taillamps
- Tinted glass
- Chrome power, heated sideview mirrors with memory, auto-dimming for driver, courtesy lighting and supplemental turn signals
- Bright roof rails
- 7-inch Multi-View Display Cluster
- Heated and leather-wrapped steering wheel with paddle shifters and controls for audio, Siri, speed, Multi-View Display Cluster and Integrated Voice Command<sup>12</sup> with Bluetooth®
- Dual-Zone Automatic Temperature Control (ATC)
- Interior front footwell and center console bin lighting
- Acoustic windshield
- Remote start, remote key fobs
- Universal garage door opener
- Hill Start Assist (HSA)
- Power driver and passenger seats

- Electronic Stability Control (ESC)<sup>11</sup>
- ParkSense® Rear Park Assist System<sup>17</sup> with Brake Assist
- ParkView® Rear Back-Up Camera with Dynamic Grid Lines<sup>17</sup>
- 7 air bags<sup>20</sup> including advanced multistage driver and front-passenger, side-curtain, supplemental front-seat side and driver inflatable knee bolster<sup>20</sup>
- Keyless Enter™ n Go™
- Uconnect® 5.0
- Integrated Voice Command<sup>12</sup> with Bluetooth
- 6-speaker audio system
- SiriusXM® Satellite Radio<sup>13</sup> includes one-year trial subscription

## AVAILABLE

- 5.7L V8 engine with Multi-Displacement System (MDS) and Variable Valve Timing (VVT)
- 3.0L EcoDiesel V6 engine
- Quadra-Drive II® 4WD with electronic limited-slip differential for rear axle and Hill Descent Control (*4x4 models only, standard with V8 or V6 EcoDiesel*)
- 20-inch polished aluminum wheels with Mineral Gray Pockets
- Power sunroof with express-open/close and comfort-stop features
- Blind Spot Monitoring<sup>22</sup>
- Uconnect 8.4
- Uconnect 8.4 NAV
- SiriusXM Travel Link<sup>13</sup> includes five-year trial subscription
- SiriusXM Traffic<sup>13</sup> includes five-year trial subscription
- Premium Alpine® Surround Sound System with 506 watts, 9 speakers and a subwoofer

**LUXURY GROUP II:** Perforated leather ventilated front seats, CommandView® Dual-Pane Panoramic Sunroof, rain-sensing windshield wipers, Auto High-Beam Headlamp Control, Bi-xenon High Intensity Discharge (HID) headlamps, LED daytime running lamps, LED fog lamps, Uconnect 8.4, power tilt/telescoping steering wheel and Premium Alpine Surround Sound System

**BLU-RAY® ENTERTAINMENT SYSTEM:** Two flip-up screens mounted on the seatbacks capable of playing DVDs and Blu-ray discs; includes ports for video games or other devices

**OFF-ROAD ADVENTURE GROUP II (*4x4 only*):** Quadra-Lift® Air Suspension, Quadra Drive II 4WD, skid plates, tow hooks, Selec-Speed® Trail Rated® badge and full-size spare tire

**TRAILER TOW GROUP IV (*4x4 only*):** Heavy-duty engine cooling, delete rear tow hook, Class IV hitch receiver, 4- and 7-pin wiring harness, rear load-leveling suspension and full-size spare tire (*packaged with Quadra-Lift Air Suspension*)

**ADVANCED TECHNOLOGY GROUP:** Advanced Brake Assist, Forward Collision Warning (FCW+) with Active Braking,<sup>23</sup> Adaptive Cruise Control (ACC STOP) with Stop,<sup>21</sup> Blind Spot Monitoring (BSM)<sup>22</sup> and Rear Cross-Path Detection<sup>17</sup>

**MOPAR® CHROME EDITION GROUP:** Mopar Front and Rear Entry Door Guards, Chrome Exterior Mirror Caps, Chrome Tubular Side Steps and Mopar Bright Pedal Kit

**MOPAR EXTERIOR APPEARANCE GROUP:** Mopar Front and Rear Entry Door Guards, Black Tubular Side Steps and Mopar Bright Pedal Kit



18-inch Polished Aluminum (standard)



20-inch Polished Aluminum with Mineral Gray Pockets (available)



Capri Leather with accent stitching — Morocco — Black

Capri Leather — New Zealand — Black/Light Frost Beige

Ventilated Axis Perforated Nappa Leather with accent stitching — Morocco — Black

Ventilated Axis Perforated Nappa Leather — New Zealand — Black/Light Frost Beige

Miknasa Black Walnut Wood Inserts

Nador Brown Walnut Wood Inserts



# L A R E D O

## STANDARD

- 3.6L Pentastar® V6 engine with Stop/Start Technology
- Quadra-Trac I® 4WD system (*4x4 only*)
- 8-speed automatic transmission with E-shift
- Electric power steering with selectable modes
- Halogen projector headlamps with daytime running lamps
- Premium fog lamps
- 17-inch Painted Aluminum wheels
- Capless fuel filler door
- LED taillamps
- Tinted glass
- Black roof molding
- Leather-wrapped steering wheel with paddle shifters and controls for audio, Siri,® speed, Multi-View Display Cluster and Integrated Voice Command<sup>12</sup> with Bluetooth®
- Cruise control
- 7-inch Multi-View Display Cluster
- Air conditioning
- Dual-Zone Automatic Temperature Control (ATC)
- Premium cloth seats
- Front fold-flat passenger seat
- 60/40 split-folding 2nd-row seat
- Interior front footwell and center console bin lighting
- Power and heated body-color mirrors with manual foldaway

- Acoustic windshield
- Electronic Stability Control (ESC)<sup>11</sup>
- 7 air bags<sup>20</sup> including advanced multistage driver and front-passenger, side-curtain, supplemental front-seat side, and driver inflatable knee bolster<sup>20</sup>
- Keyless Enter™ n Go™
- Remote key fobs
- Hill Start Assist (HSA)
- Trailer Sway Control<sup>11</sup>
- Uconnect® 5.0
- Integrated Voice Command<sup>12</sup> with Bluetooth
- 6-speaker audio system

## AVAILABLE

- Power sunroof with express-open/close and comfort-stop features
- Bright roof rails
- ParkView® Rear Back-Up Camera with Dynamic Grid Lines<sup>17</sup> and ParkSense® Rear Park Assist System<sup>17</sup>
- SiriusXM® Satellite Radio<sup>13</sup> includes one-year trial subscription
- 18-INCH WHEEL AND 8.4 RADIO GROUP: 18-inch aluminum wheel and Uconnect 8.4

**OFF-ROAD ADVENTURE GROUP I:** Quadra-Trac II® Active Full-time 4WD system with 2-speed transfer case and Hill Descent Control (HDC), Selec-Terrain® Traction Management System, skid plates, tow hooks, Trail Rated® badge and full-size spare tire (*4x4 models*)

**ALL-WEATHER CAPABILITY GROUP:** Quadra-Trac II Active Full-time 4WD system with 2-speed transfer case and HDC, Selec-Terrain Traction Management System, Mopar® Cargo Area Liner, tow hooks, engine block heater, remote start, Mopar All-Weather Mats, heated steering wheel and heated front seats

**SECURITY AND CONVENIENCE GROUP:** Cargo compartment cover, security alarm, remote start, power liftgate, universal garage door opener, heated steering wheel, 115-volt auxiliary power outlet and heated front seats

**TRAILER TOW GROUP IV:** Heavy-duty engine cooling, delete rear tow hook, Class IV hitch receiver, 4- and 7-pin wiring harness, rear load-leveling suspension and full-size spare tire (*4x4 models*)

**MOPAR® CHROME EDITION GROUP:** Mopar Front and Rear Entry Door Guards, Chrome Exterior Mirror Caps, Chrome Tubular Side Steps and Mopar Bright Pedal Kit and Chrome Exhaust

**MOPAR EXTERIOR APPEARANCE GROUP:** Mopar Front and Rear Entry Door Guards, Black Tubular Side Steps and Mopar Bright Pedal Kit



17-inch Painted Aluminum (standard)



18-inch Aluminum Satin Silver Premium Paint (available)



Wallace II/Sheldon Cloth — Morocco — Black

Wallace II/Sheldon Cloth — New Zealand — Black/Light Frost Beige

Miknasa Black Walnut appliqué

Nador Brown Walnut appliqué





# S R T®

## STANDARD

- 6.4L HEMI® V8 engine with Fuel Saver Technology, 475 hp
- Quadra-Trac® Active On-demand 4WD system
- Electronic limited-slip rear differential
- Selec-Track® adaptive damping system with Track, Sport, Auto, Snow and Tow modes
- SRT performance brakes with Red 6-piston front/4-piston rear Brembo® calipers
- High-performance adaptive damping suspension with Bilstein® shocks
- 8-speed automatic transmission with E-shift
- Electric power steering with selectable drive modes
- Auto-leveling Bi-xenon headlamps with washers
- Auto High-Beam Headlamp Control
- Premium LED fog lamps
- Dual heat extractors on hood
- SRT® 20-inch Polished Aluminum 5-spoke Goliath wheels
- Dual rear exhaust with Black chrome tips
- Capless fuel filler door
- Active noise cancellation
- Customizable drive modes
- Launch control
- Leather-wrapped upper door trim, instrument panel and center armrest
- SRT heated, flat-bottomed steering wheel with paddle shifters
- 8-way power driver and passenger seats
- Heated and ventilated front seats, heated 2nd-row seats
- Air conditioning with Dual-Zone Automatic Temperature Control (ATC)
- Remote start, remote key fobs, power liftgate, rain-sensing windshield wiper system
- ParkView® Rear Back-Up Camera,<sup>17</sup> ParkSense® Front and Rear Park Assist System<sup>17</sup> with Brake Assist, Forward Collision Warning (FCW+) with Active Braking,<sup>23</sup> Adaptive Cruise Control (ACC STOP) with Stop,<sup>21</sup> Blind Spot Monitoring (BSM)<sup>22</sup> and Rear Cross-Path Detection<sup>17</sup>
- 7 air bags<sup>20</sup> including advanced multistage driver and front-passenger, side-curtain, supplemental front-seat side and driver inflatable knee bolster<sup>20</sup>

## Hill Start Assist (HSA)

- Uconnect® 8.4 NAV
- Integrated Voice Command<sup>12</sup> with Bluetooth®
- Premium Alpine® Surround Sound System with 506 watts, 9 speakers and a subwoofer
- SiriusXM® Satellite Radio<sup>13</sup> includes one-year trial subscription
- SiriusXM Travel Link<sup>13</sup> includes five-year trial subscription
- SiriusXM Traffic<sup>13</sup> includes five-year trial subscription

## AVAILABLE

- CommandView® Dual-Pane Panoramic Sunroof with suede-like headliner
- SRT 20-inch Black Vapor Chrome Spider Monkey wheels
- SRT 20-inch Lightweight Forged Aluminum wheels
- 3-season tires
- SRT HIGH-PERFORMANCE GROUP: Harman Kardon® 825-watt premium audio system with 19 speakers and 10-inch subwoofer

**HIGH-PERFORMANCE LAGUNA LEATHER SEATS:** Includes Perforated Laguna Leather seats with Silver accent stitching (must have CommandView Dual-Pane Panoramic Sunroof)

**HIGH-PERFORMANCE BRAKE PACKAGE:** Includes 2-piece slotted front rotors and slotted rear rotors

**TRAILER TOW GROUP IV:** Heavy-duty engine cooling, delete rear tow hook, Class IV hitch receiver, 4- and 7-pin wiring harness, rear load-leveling suspension and compact spare tire

**BLU-RAY® ENTERTAINMENT SYSTEM:** Two flip-up screens mounted on the seatbacks capable of playing DVDs and Blu-ray discs; includes ports for video games or other devices



20-inch Polished Aluminum 5-spoke Goliath (standard)



20-inch Black Vapor Chrome Spider Monkey (available)



20-inch Lightweight Forged Aluminum (available)



Nappa Leather with Axis II Perforated Suede in Black with Light Slate Gray accent stitching and SRT logo — Black (standard)



Perforated Laguna Leather with Silver accent stitching and SRT logo — Sepia (available)



Carbon Fiber pattern appliqué

# H I G H A L T I T U D E

## STANDARD

- 3.6L Pentastar® V6 engine with Stop/Start Technology
- Quadra-Trac II® Active Full-time 4WD system (with V6, 4x4 only)
- Quadra-Lift® Air Suspension System and Selec-Terrain® Traction Management System (4x4 only)
- 8-speed automatic transmission with E-shift
- Bi-xenon High Intensity Discharge (HID) headlamps with Signature daytime running lamps with black headlamp bezels
- Auto High-Beam Headlamp Control
- 20-inch aluminum wheels with Black finish
- Dual Dark Chrome rear exhaust
- Capless fuel filler door
- LED fog lamps with Gloss Black accents
- Power, heated body-color sideview mirrors with memory, auto-dimming for driver, courtesy lighting and supplemental turn signals
- Black roof molding
- Body-color door handles
- Gloss Black exterior badging
- Gloss Black front/rear fascia appliqué
- CommandView® Dual-Pane Panoramic Sunroof
- Leather-wrapped, heated steering wheel, paddle shifters and controls for audio, speed, Multi-View Display Cluster and Integrated Voice Command<sup>12</sup> with Bluetooth®
- Black leather-wrapped and -stitched instrument panel and armrests
- 7-inch Multi-View Display Cluster
- Heated 1st- and 2nd-row leather-trimmed seats, ventilated front seats, air conditioning, Dual-Zone Automatic Temperature Control (ATC)
- Electronic Stability Control (ESC)<sup>11</sup>
- ParkSense® Front and Rear Park Assist System<sup>17</sup> and ParkView® Rear Back-Up Camera<sup>17</sup>
- 7 air bags<sup>20</sup> including advanced multistage driver and front-passenger, side-curtain, supplemental front-seat side and driver inflatable knee bolster<sup>20</sup>
- Keyless Enter™ 'n Go™
- Remote start, power liftgate, remote key fobs, rain-sensing windshield wipers
- Universal garage door opener
- Hill Start Assist (HSA)
- Uconnect® 8.4 NAV
- Integrated Voice Command<sup>12</sup> with Bluetooth
- Uconnect Access<sup>6</sup> with 9-1-1 Call<sup>7</sup> and Roadside Assistance Call<sup>8</sup>
- Premium Alpine® Surround Sound System with 506 watts, 9 speakers and a subwoofer
- SiriusXM® Satellite Radio<sup>13</sup> includes one-year trial subscription
- SiriusXM Travel Link<sup>13</sup> includes five-year trial subscription

**ADVANCED TECHNOLOGY GROUP:** Advanced Brake Assist, Forward Collision Warning (FCW+) with Active Braking,<sup>23</sup> Adaptive Cruise Control (ACC STOP) with Stop,<sup>21</sup> Blind Spot Monitoring (BSM)<sup>22</sup> and Rear Cross-Path Detection<sup>17</sup>

## AVAILABLE

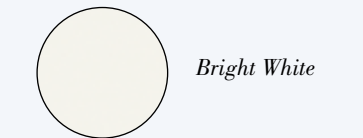
- 5.7L V8 engine with Multi-Displacement System (MDS) and Variable Valve Timing (VVT)
- 3.0L EcoDiesel V6 engine
- Harman Kardon® 825-watt premium audio system with 19 speakers
- BLU-RAY® ENTERTAINMENT SYSTEM: Two flip-up screens mounted on the seatbacks capable of playing DVDs and Blu-ray discs; includes ports for video games or other devices
- TRAILER TOW GROUP IV (4x2 only): Heavy-duty engine cooling, delete rear tow hook, Class IV hitch receiver, 4- and 7-pin wiring harness, rear load-leveling suspension and full-size spare tire (standard on 4x4 models)



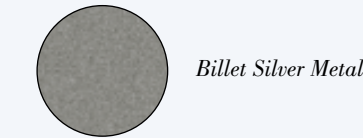
20-inch Aluminum with Black Finish (standard)



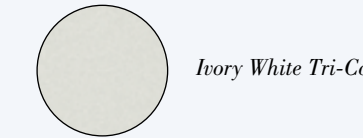
Velvet Red Pearl



Bright White



Billet Silver Metallic



Ivory White Tri-Coat



Granite Crystal Metallic



Brilliant Black Crystal Pearl



Ventilated Axis II Perforated Nappa Leather trim with accent stitching — Morocco — Black (standard)



High-Gloss Black Zebrano Wood Inserts — Morocco

## KEY FEATURES:

> PERFORMANCE SUSPENSION DAMPERS

> STANDARD ADVANCED TECHNOLOGY GROUP

> UNIQUE EXTERIOR LOOK WITH ALL-NEW DARK CHROME ACCENTS



Brilliant Black Crystal Pearl

Maximum Steel Metallic

Luxury Brown Pearl — exclusive to Grand Cherokee Summit®

Granite Crystal Metallic

Billet Silver Metallic

True Blue Pearl

Velvet Red Pearl

Redline Red 2-Coat Pearl — exclusive to SRT®

Ivory White Tri-Coat — exclusive to Overland® Grand Cherokee Summit and SRT

Light Brownstone Pearl

Bright White

**EXTERIOR DIMENSIONS**

(inches unless noted, std. suspension/air suspension)

Wheelbase	114.8
Overall Length	189.8
Overall Width	84.8
Track (front/rear)	63.9 / 64.1
Height (at roof rail)	69.3
Ground Clearance	8.6 / 10.4
Approach Angle (deg)	26.2 / 36.1
Breakover Angle (deg)	19 / 22.8
Departure Angle (deg)	24 / 27.1
Water Forging Depth <sup>16</sup>	20 / 22.6

**INTERIOR DIMENSIONS**

(inches unless noted, front/rear)

Seating Capacity	2 / 3 adults
Head Room	39.9 / 39.2
Leg Room	40.3 / 38.6
Shoulder Room	58.7 / 58.0
Hip Room	57.0 / 56.2
Cargo Volume (cu ft): rear seat up	36.3
rear seat folded	68.3

**CAPACITIES/WEIGHTS**

(pounds unless noted)

Fuel Tank (gal)	24.6
Base Curb Weight (2WD/4WD)	4,545 / 4,677
Payload Capacity, max/min (with all occupants and cargo)	1,320 / 1,050
Gross Vehicle Weight Rating (GVWR) (2WD/4WD)	
3.6L V6 Engine	6,500 / 6,500
3.0L V6 EcoDiesel Engine	6,500 / 6,800
5.7L V8 Engine	6,500 / 6,800
6.4L HEMI® V8 Engine	6,500

**BRAKE SYSTEM**

Power, single-rate, tandem diaphragm vacuum, Antilock Brake System (ABS)  
 Front: 12.9-inch x 1.2-inch vented disc  
 Rear: 12.6-inch x 0.55-inch disc

Electronic Stability Control (ESC)<sup>11</sup> — 4-channel, 4-wheel antilock with active wheel-speed, vehicle-speed, steering wheel-angle, yaw-rate and lateral-acceleration sensors, vehicle stability management with 2-stage activation switch, All-Speed Traction Control, Brake Assist, Electronic Roll Mitigation (ERM) and Electronic Brake-Force Distribution (EBD).

SRT — Front, size and type: 15.0 x 1.34-inch vented disc with Brembo® six-piston caliper and ABS; rear, size and type: 13.78 x 1.10-inch disc with Brembo four-piston caliper and single-channel ABS; Power Assist: single-rate, tandem diaphragm vacuum.

**POWERTRAINS**

Engine	3.0L V6 EcoDiesel	3.6L V6 with Variable Valve Timing (VVT)	5.7L V8 with Fuel Saver Technology	6.4L HEMI® V8 with Fuel Saver Technology and VVT
Displacement (cu in)	182	220	345	392
Horsepower (DIN @ rpm)	240 @ 3,600	295 @ 6,400	360 @ 5,150	475 @ 6,000
Torque (SAE net lb-ft @ rpm)	420 @ 2,000	TBD	390 @ 4,250	470 @ 4,300
Axle Ratio	3.45 : 1	3.45 : 1	3.09 : 1	3.07 : 1
Fuel System	Common-rail, solenoid injectors	Sequential, multipoint, electronic fuel injection	Sequential, multipoint, electronic fuel injection	Sequential, multi-port, electronic, returnless; automatic features Fuel Saver mode
2015 Maximum EPA hwy mpg (2WD)	30	25	22	19

VARIABLE VALVE TIMING (VVT) — Offers increased engine breathing throughout the rpm range by varying the degree that the valves open and close in conjunction with the piston position. Results are tangible: better performance, more efficient operation and increased torque for towing and hauling (3.6L and 5.7L).

FUEL SAVER TECHNOLOGY — Deactivates 4 cylinders during steady-speed cruising, low acceleration or shallow-grade climbing conditions (5.7L).

TRANSMISSION — Driver-interactive manual control via steering-wheel paddle shifters and electronically modulated torque converter clutch (standard).

**BODY/SUSPENSION**

Body Design — Uniframe construction: body panels and frame members welded and bonded into a single unit.

Suspension — Front: short/long arm (SLA), coil springs, gas-charged, twin-tube coil-over shock absorbers, upper and lower control arms (“A” arms), and stabilizer bar. Rear: multilink rear suspension, coil springs, twin-tube shocks (including load-leveling for towing), aluminum lower control arm, independent upper links (tension and camber) plus a separate toe link.

SRT Suspension — Front: SLA, coil springs, Bilstein® adaptive damping suspension (ADS), upper and lower control arms (“A” arms), and stabilizer bar. Rear: multilink rear suspension, coil spring, Bilstein ADS, aluminum lower control arm, independent upper links (tension and camber) plus a separate toe link, stabilizer bar.

Steering — Electric Power Steering  
 Overall Ratio 17.9:1 (V6 4x2), 16.7:1 (all other vehicles)  
 Turns, lock-to-lock 3.4 (V6 4x2), 3.2 (all other vehicles)  
 Turning Diameter (feet), curb-to-curb 37.1

**TOWING DATA**  
(pounds, 2WD/4WD)

Maximum Trailer Weight Rating when equipped with available Trailer Tow Group IV

3.6L V6 Engine	6,200 / 6,200
3.0L V6 EcoDiesel Engine	7,400 / 7,200
5.7L V8 Engine	N/A / 7,200
6.4L HEMI V8 Engine	N/A / 7,200

*RESTRICTION: Trailer frontal area limitation of 64 sq ft; maximum trailer length of 30 ft (Class IV); Trailer Sway Control<sup>11</sup> and low-profile mirrors are recommended. This chart is meant to serve as a quick and easy reference guide on how to properly equip your Jeep® Grand Cherokee for towing. For specific details, discuss your plans with your Jeep dealer, who will help you select the right equipment to meet your specifications.*



**JeepGear**

**JEEP, SOCIAL ADVENTURES:** Expand your horizons to include authentic and active Jeep, online communities. Post stories, share photos, watch videos and get the latest news from Jeep gearheads and engineers. Fellow Jeep enthusiasts are waiting to hear from you on Facebook, Twitter, Google+, Instagram and Pinterest, and see the latest videos on YouTube. Tune in and get out into the virtual world where thrilling adventures are happening every single day.

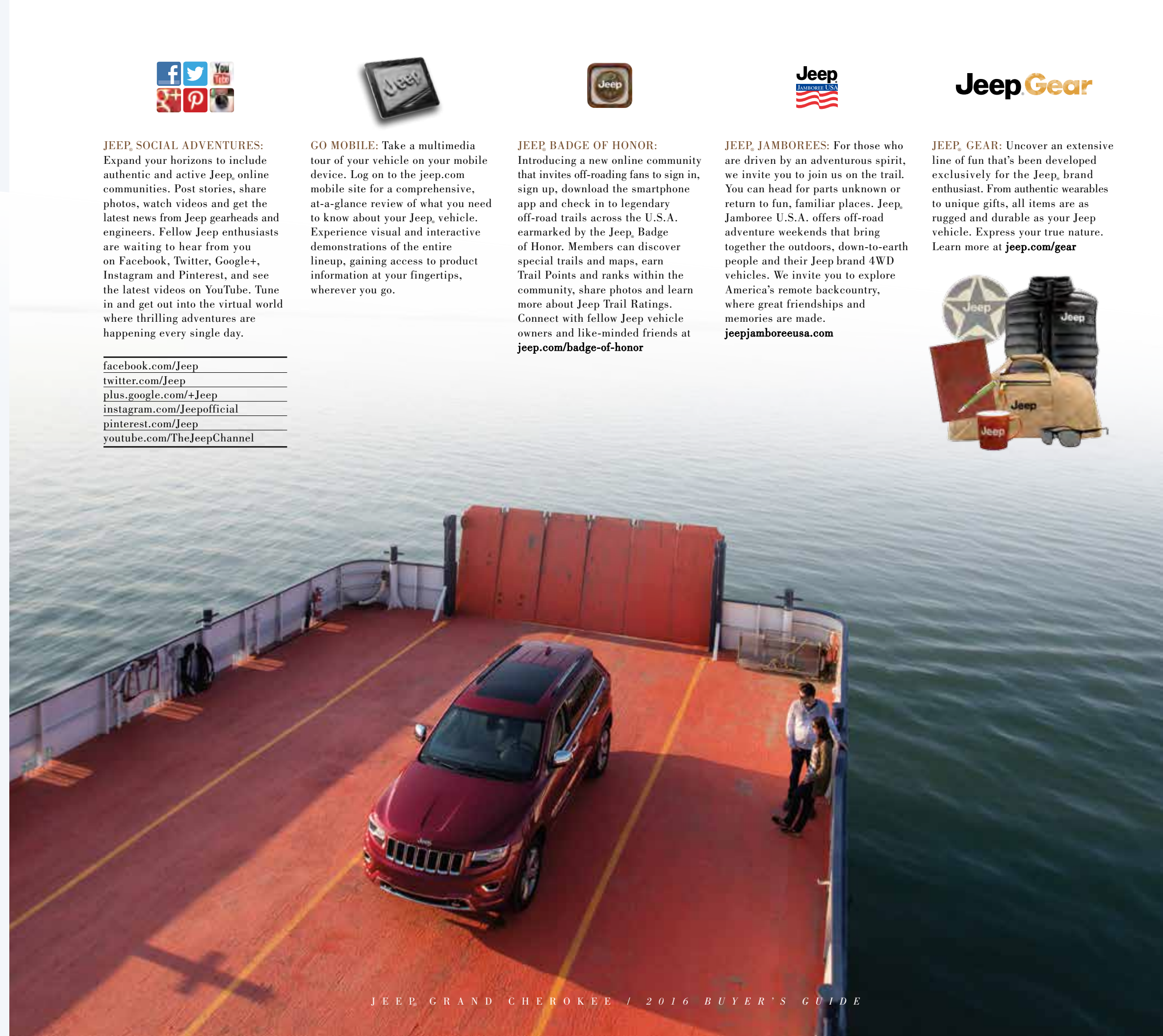
- facebook.com/Jeep
- twitter.com/Jeep
- plus.google.com/+Jeep
- instagram.com/Jeepofficial
- pinterest.com/Jeep
- youtube.com/TheJeepChannel

**GO MOBILE:** Take a multimedia tour of your vehicle on your mobile device. Log on to the jeep.com mobile site for a comprehensive, at-a-glance review of what you need to know about your Jeep, vehicle. Experience visual and interactive demonstrations of the entire lineup, gaining access to product information at your fingertips, wherever you go.

**JEEP, BADGE OF HONOR:** Introducing a new online community that invites off-roading fans to sign in, sign up, download the smartphone app and check in to legendary off-road trails across the U.S.A. Earmarked by the Jeep, Badge of Honor. Members can discover special trails and maps, earn Trail Points and ranks within the community, share photos and learn more about Jeep Trail Ratings. Connect with fellow Jeep vehicle owners and like-minded friends at [jeep.com/badge-of-honor](http://jeep.com/badge-of-honor)

**JEEP, JAMBOREES:** For those who are driven by an adventurous spirit, we invite you to join us on the trail. You can head for parts unknown or return to fun, familiar places. Jeep, Jamboree U.S.A. offers off-road adventure weekends that bring together the outdoors, down-to-earth people and their Jeep brand 4WD vehicles. We invite you to explore America's remote backcountry, where great friendships and memories are made. [jeepjamboreeusa.com](http://jeepjamboreeusa.com)

**JEEP, GEAR:** Uncover an extensive line of fun that's been developed exclusively for the Jeep, brand enthusiast. From authentic wearables to unique gifts, all items are as rugged and durable as your Jeep vehicle. Express your true nature. Learn more at [jeep.com/gear](http://jeep.com/gear)





< MOLDED RUNNING BOARDS

< ALL-WEATHER MATS

< 18-INCH DARK GRAY METALLIC WHEELS

< DOOR SILL GUARDS

< HITCH-MOUNT BIKE CARRIER\*

visit [MOPAR.COM](https://www.mopar.com)

## AUTHENTIC JEEP® ACCESSORIES

Whether you're climbing rugged hills or cruising smooth highways, raise the profile and capability of your Grand Cherokee with Authentic Jeep® Accessories from Mopar®. You can count on these quality-engineered parts and accessories to keep your Grand Cherokee as authentic as the day you bought it. For a true, seamless fit and finish, exact color matches and high-quality materials, it's smart to choose Mopar for the life of your ride. In addition, your ownership experience is supported mile after mile with our expert technicians, Mopar Vehicle Protection® plans, Express Lane Service for a quick oil change and the online Mopar Owner Connect Web site (register at [owners.jeep.com](https://www.owners.jeep.com)). See your Jeep dealer, or visit [mopar.com](https://www.mopar.com) for more information.

Shown with Authentic Jeep Accessories by Mopar including 20-inch Chrome Wheels, Chrome Tubular Side Steps, Chrome Mirror Covers and Black Tow Hooks.

\*Properly secure all cargo.

=====

HOW FAR WOULD YOU GO  
*if you could go anywhere?*

=====



THE JEEP® BRAND OFFERS SOME OF THE BEST OWNERSHIP SUPPORT PROGRAMS AVAILABLE ANYWHERE.



=====

**WARRANTIES:** Jeep vehicles are covered by a 3-Year/36,000-Mile Basic Limited Warranty (excludes normal maintenance and wear items), as well as a 5-Year/60,000-Mile Powertrain Limited Warranty that is fully transferable. See your dealer for complete details and a copy of the 5-Year/60,000-Mile Powertrain Limited Warranty.



**MOPAR VEHICLE PROTECTION®:** Mopar Vehicle Protection has a vested interest in your satisfaction and owner experience with your new Jeep brand vehicle. This is the only extended protection provider backed by the manufacturer, FCA US LLC. We stand behind every Mopar Vehicle Protection plan with certified, factory-trained technicians and the use of authentic Mopar® parts. Your plan is honored at over 2,600 dealerships within the United States, Canada, Puerto Rico and Mexico. Be sure to ask for a Mopar Vehicle Protection plan at your dealership, call (800) 442-2666 or visit [moparvehicleprotection.com](http://moparvehicleprotection.com)



**MOPAR OWNER CONNECT: STAY CONNECTED.** Your Jeep vehicle ownership gives you the credentials to access extensive vehicle information, service and maintenance records, recall notifications, and special offers through whatever device you prefer – computers, smartphones, or tablets! Register your Jeep® brand vehicle at [owners.jeep.com](http://owners.jeep.com) or download the Jeep Vehicle Owners app for free at either Apple or Google Play stores.



**AUTOMOBILITY:** The FCA US LLC Automobility Program provides aftermarket reimbursement incentives on adaptive vehicle upfit equipment to help provide safe and reliable vehicle modifications, enhancing accessibility for all people. For more information, call (800) 255-9877 or visit [chryslerautomobility.com](http://chryslerautomobility.com)



**JEEP, MASTERCARD®:** Earn 3 points per \$1 on qualifying purchases made at FCA US LLC dealerships, 2 points per \$1 on qualifying travel purchases and 1 point per \$1 on qualifying purchases everywhere else with the new Jeep MasterCard. Points may be redeemed at your local dealership for cash off your new or used vehicle, accessories, parts or service — including your next oil change. Or choose from hundreds of other rewards, including travel, cash back to your account, merchandise or gift cards.<sup>24</sup> For more information or to apply, visit [jeepcard.com](http://jeepcard.com)



**JEEP, WAVE:** It's the universal greeting all Jeep® vehicle owners know and now it's the name of a new and exclusive owners' benefits program. With your enrolled Jeep brand vehicle, you'll enjoy access to a dedicated 24/7 exclusive Jeep owner support hotline, complimentary maintenance, first-day rental and trip-interruption coverage, VIP treatment at Jeep events across the country and discounts on select brands through our shopping network. Complimentary two-year enrollment for Overland®, Summit® and SRT® models. Available for purchase on other models.

# Jeep.

## JEEP.COM (800) 925-JEEP

(1) 2015 *Ward's* Middle Sport/Utility Vehicle segmentation (excludes FCA US LLC vehicles). 3.0L V6 Diesel 4x2 at 30 mpg or 3.6L V6 at 25 mpg. (2) 2015 *Ward's* Middle Sport/Utility Vehicle segmentation (excludes FCA US LLC vehicles). Based on available transfer cases, available low range, available class-exclusive Jeep Quadra-Lift Air Suspension, available Off-Road Group II capabilities and Selec-Speed Control with Hill Ascent and Hill Descent. (3) 2015 *Ward's* Middle Sport/Utility Vehicle segmentation (excludes FCA US LC vehicles). Based on Summit model offerings. (4) 2015 *Ward's* Middle Sport/Utility Vehicle segmentation (excludes FCA US LLC vehicles). 3.0L Diesel: over 730 miles of range on one tank of gas at 30 mpg. 3.6L V6: over 600 miles of range on one tank of gas at 25 mpg. (5) 2015 *Ward's* Middle Sport/Utility Vehicle segmentation (excludes FCA US LLC vehicles). Based on Off-Road Group II class-exclusive Quadra-Lift Air Suspension height: 8.9" – 11.3" (6) Uconnect Access is available only on equipped vehicles purchased within the contiguous United States plus Alaska. Services can only be used where cellular coverage is available, see coverage map for details. For a complete list of Uconnect Access services, please visit [http://www.driveuconnect.com/features/uconnect\\_access/packages/](http://www.driveuconnect.com/features/uconnect_access/packages/). Vehicle must be registered for Uconnect Access and fulfill minimum subscription requirement. (7) The 9-1-1 Call button will connect you directly with Emergency Assistance. If you accidentally press the button, you have 10 seconds to cancel the call by either pressing the 9-1-1 button on the rearview mirror or the Cancel button on the Uconnect touchscreen. (8) Provides direct-dial access to Roadside Assistance Service. Vehicle must be within the United States, have network coverage and must be registered with Uconnect Access with an active subscription that includes the applicable feature. Additional roadside assistance charges may apply. Check warranty for details. (9) 2015 *Ward's* Middle Sport/Utility Vehicle segmentation (excludes FCA US LLC vehicles). Equipped with V8 4x2 or 3.0L Diesel 4x2, 7,400-lb towing capacity. Equipped with V6 gas 4x2 at 6,200-lb towing capacity. (10) 2015 *Ward's* Middle Sport/Utility Vehicle segmentation (excludes FCA US LLC vehicles). Equipped with V8 4x2, 390 lb-ft or 3.0L Diesel 4x2, 420 lb-ft torque. (11) No system, no matter how sophisticated, can repeal the laws of physics or overcome careless driving actions. Performance is limited by available traction, which snow, ice and other conditions can affect. When the ESC warning lamp flashes, the driver needs to use less throttle and adapt speed and driving behavior to prevailing road conditions. Always drive carefully, consistent with conditions. Always wear your seat belt. (12) Requires a mobile phone equipped with the Bluetooth Hands-Free Profile. Visit [UconnectPhone.com](http://UconnectPhone.com) for system and device compatibility. (13) SiriusXM subscriptions for audio and data services are sold by SiriusXM to follow your trial subscription. If you decide to continue listening after your trial, the subscription plan you choose will automatically renew thereafter and you will be charged according to your chosen payment method at then-current rates. Fees and taxes apply. To cancel, you must call SiriusXM at 1-866-635-2349. See the SiriusXM Customer Agreement for complete terms and more information at [www.siriusxm.com](http://www.siriusxm.com). All fees and programming subject to change. Your equipment and features for SiriusXM services will vary depending upon the vehicle you select and may be limited in select markets. (14) Voice Text Reply and Voice Texting features require a compatible mobile device enabled with Bluetooth Message Access Profile (MAP). iPhone and some other smartphones do not currently support Bluetooth MAP. Visit [www.UconnectPhone.com](http://www.UconnectPhone.com) for system and device compatibility. Ensure MAP is ON and incoming message notification is enabled. Vehicle must be registered for Uconnect Access and you must fulfill minimum subscription requirements. Also requires the use of a compatible smartphone that supports text messaging and Bluetooth. Check [UconnectPhone.com](http://UconnectPhone.com) for device compatibility. (15) WiFi subscription required. Vehicle must be registered with Uconnect Access and fulfill minimum subscription requirements. Vehicle must be properly equipped and in active and usable cellular range for WiFi usage. WiFi Hotspot does not enable direct communication between multiple in-vehicle devices. Factors affecting the performance of WiFi Hotspot include: cellular network, signal strength and quality, time of day, number of channels used by the service provider, type of connection, number of clients using WiFi Hotspot and client device. This feature is not intended for use by the driver while the vehicle is in motion. Always drive safely. (16) Do not attempt water fording unless depth is known and consistent with the vehicle's water fording rating in the Owner's Manual. Traversing water can cause damage that may not be covered by the new vehicle warranty. Always off-road responsibly in approved areas. (17) Always look before proceeding. An electronic drive aid is not a substitute for conscientious driving. Always be aware of your surroundings. (18) If you have this feature and have reported your vehicle as stolen to an appropriate law enforcement agency, Uconnect will try to locate your vehicle after receiving proper documents and once law enforcement contacts Uconnect Customer Care. Uconnect may refuse to locate your vehicle if you do not provide the requested information or documents. Always notify law enforcement if your vehicle is stolen and do not attempt to recover it on your own. (19) Vehicle must be registered with Uconnect Access and fulfill minimum subscription requirements. Vehicle must also be properly equipped and in an active and usable cellular range. Theft Alarm Notification is only available on factory-installed alarms. (20) The Advanced Front Air Bags in this vehicle are certified to the new U.S. federal regulations for advanced air bags. Children 12 years old and younger should always ride buckled up in a rear seat. Infants in rear-facing child restraints should never ride in the front seat of a vehicle with a passenger front air bag. All occupants should always wear their lap and shoulder belts properly. (21) ACC is a driver convenience system, not a substitute for active driver involvement. The driver must remain aware of traffic conditions and be prepared to use brakes to avoid collisions. (22) Always check visually for vehicles prior to changing lanes. (23) FCW system is solely an alert system for the front of the vehicle which does not take any actions to change vehicle dynamics to avoid a collision; not a substitute for active driver involvement. The driver must remain aware of traffic conditions and be prepared to use brakes to avoid collisions. (24) MasterCard is a registered trademark of MasterCard International Incorporated. This card is issued by First Bankcard, a division of First National Bank of Omaha, pursuant to a license by MasterCard International Incorporated.

©2015 FCA US LLC. All rights reserved. Jeep, Mopar, SRT, Automobility Program, Badge of Honor, CommandView, Grand Cherokee, Grand Cherokee Summit, Go Anywhere, Do Anything, HEMI, the Jeep grille, Laredo, the Mopar Owner Connect design, Mopar Vehicle Protection, Overland, ParkSense, ParkView, Pentastar, Quadra-Drive, Quadra-Lift, Quadra-Trac, Quadra-Trac I, Quadra-Trac II, Sentry Key, Selec-Speed, Selec-Terrain, Selec-Track, Trail Rated and Uconnect are registered trademarks, and Keyless Enter 'n Go is a trademark of FCA US LLC.

Alpine and the Alpine logo are registered trademarks of Alpine Electronics, Inc. Bilstein is a registered trademark of August-Bilstein GmbH & Co. Bluetooth is a registered trademark of Bluetooth SIG, Inc. Blu-ray Disc is a registered trademark of Blu-ray Disc Association. Brembo is a registered trademark of Freni Brembo S.p.A. Goodyear is a registered trademark of The Goodyear Tire & Rubber Company. Harman Kardon and Logic 7 are registered trademarks and GreenEdge is a trademark of Harman International Industries, Inc. Sirius, XM and all related marks and logos are trademarks of SiriusXM Radio Inc. iPhone and AppStore are registered trademarks of Apple Inc. Yelp and related marks are registered trademarks of Yelp. Facebook and logo are registered trademarks of Facebook, Inc. The Twitter logo is a service mark of Twitter, Inc. Pinterest is a registered trademark of Pinterest, Inc. Pirelli is a registered trademark of Pirelli & C.S.p.A. Instagram is a registered trademark of Instagram, Inc. YouTube, Google+ and Google Play are registered trademarks of Google Inc. All other trademarks are the property of their respective owners.

This document is a publication of FCA US LLC. All product illustrations and specifications are based upon current competitive information at the time of publication approval. FCA US LLC reserves the right to make changes from time to time, without notice or obligation, in prices, specifications, colors and materials, and to change or discontinue models which are considered necessary to the purpose of product improvement or for reasons of design and/or marketing.

Jeep is a registered trademark of FCA US LLC.